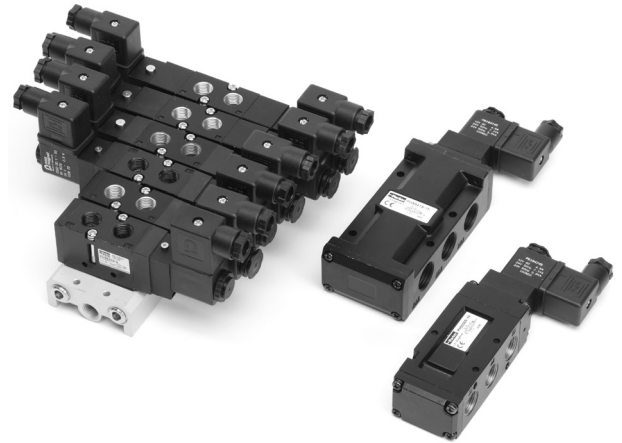


# PHS/PHP Series valves

High performance aluminium bodied industrial valves with pilot or solenoid actuation. Featuring the 'Wear compensating seal system', these valves offer a wide range of long life benefits at low costs.

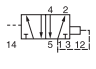
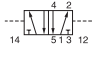
- All ports are BSPT
- 3 sizes available 1/4", 3/8", 1/2"
- Compact series
- Each solenoid valve is complete with coil and connector
- Connectors with indicator lamps available
- Wear compensating seal system featured on the 1/4" and 3/8" valves
- Aluminium extruded manifolds: common supply and common exhaust



### Operating information

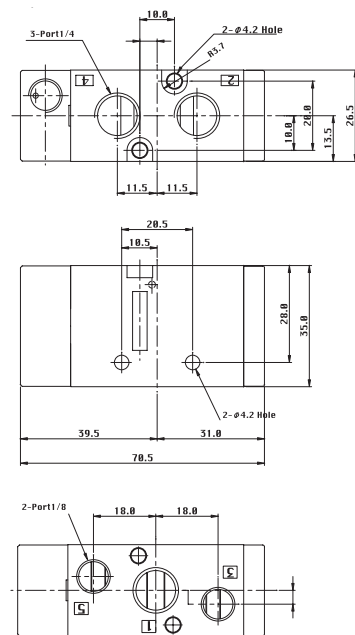
Working pressure	1,5 to 9 bar
Working temperature	5 °C to 60 °C
Port size	1/4", 3/8", 1/2"

### Pneumatically actuated 5/2 and 5/3 valves

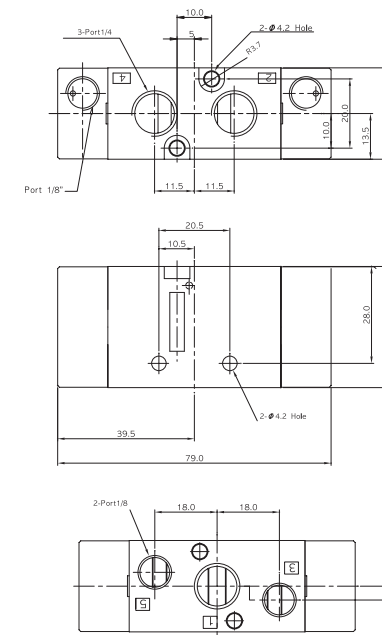
Symbol	Size	Actuator	Return	Order code
	1/4"	Air pilot	Spring return	PHP520S-8
	3/8"	Air pilot	Spring return	PHP530S-10
	1/2"	Air pilot	Spring return	PHP540S-15
	1/4"	Air pilot	Air pilot	PHP520D-8
	3/8"	Air pilot	Air pilot	PHP530D-10
	1/2"	Air pilot	Air pilot	PHP540D-15

### PHP520 series dimensions

#### Single Type



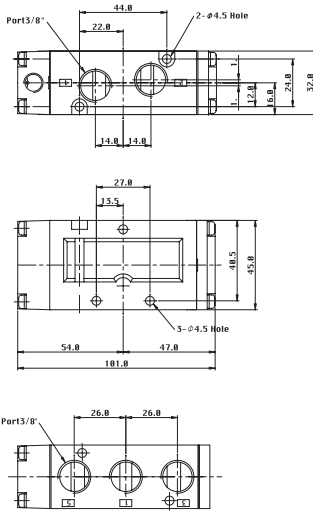
#### Double Type



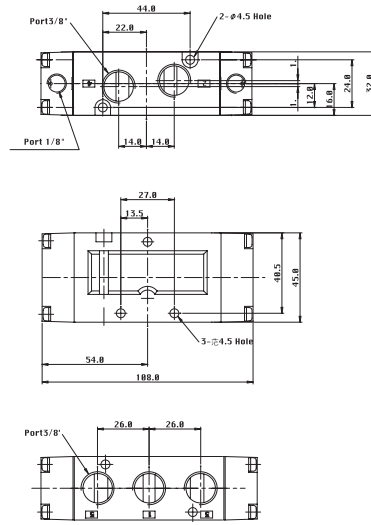
# PHS/PHP Series valves

## PHP530 Series Dimensions

### Single Type

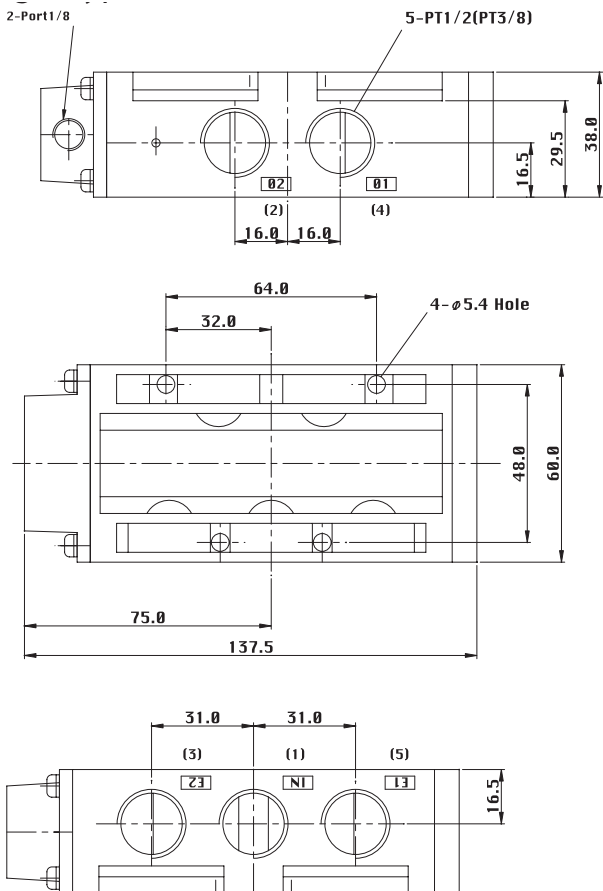


### Double Type



## PHP540 Series Dimensions

### Single Type



### Double Type

