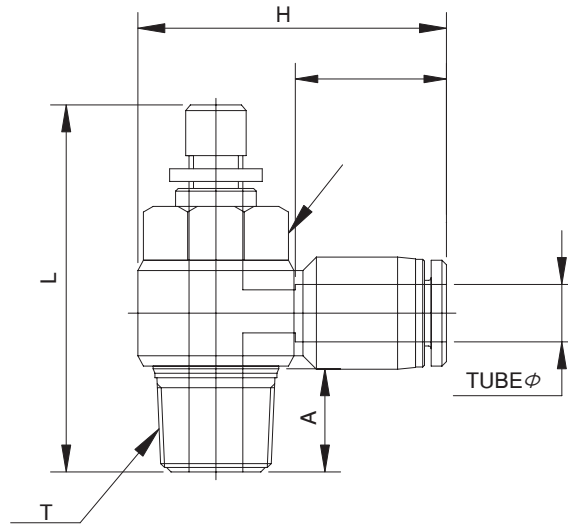


## Flow Control Valve(One touch fitting built-in)

### Dimension

PFC Series



(Unit : mm)

Model No	L		T	H	Tube Diameter	F	A	Nut $\phi$
	Max	Min						
PFC12-04-M5	33.7	37	M5 x 0.8P	26.6	4	16.8	4.6	08 x 9.24
PFC12-06-M5	33.7	37	M5 x 0.8P	27.2	6	17.6	4.6	08 x 9.24
PFC22-04-1/8	44.3	48.6	PT1/8	31.5	4	16.8	8	14 x 16.1
PFC22-06-1/8	44.3	48.6	PT1/8	32.4	6	17.6	8	14 x 16.1
PFC22-08-1/8	44.3	48.6	PT1/8	39.2	8	18.7	8	14 x 16.1
PFC22-04-1/4	44.3	48.6	PT1/4	34.8	4	16.8	10	17 x 19.6
PFC22-06-1/4	44.3	48.6	PT1/4	35.6	6	17.6	10	17 x 19.6
PFC22-08-1/4	44.3	48.6	PT1/4	37.7	8	18.7	10	17 x 19.6
PFC22-10-1/4	47.6	52	PT1/4	37.9	10	19.6	10	17 x 19.6
PFC22-12-1/4	47.6	52	PT1/4	39.2	12	21.9	10	17 x 19.6
PFC32-06-3/8	47.6	52	PT3/8	40.9	6	17.6	11	21 x 24.2
PFC32-08-3/8	52	57.5	PT3/8	42.7	8	18.7	11	21 x 24.2
PFC32-10-3/8	52	57.5	PT3/8	43.6	10	19.6	11	21 x 24.2
PFC32-12-3/8	52	57.5	PT3/8	45.9	12	21.9	11	21 x 24.2
PFC42-10-1/2	61.3	67.2	PT1/2	45.6	10	19.6	14	24 x 27.7
PFC42-12-1/2	61.3	67.2	PT1/2	48.3	12	21.9	14	24 x 27.7