

# 2/3 Port Mechanical Valve Series VM200

Large flow capacity.  
A variety of actuator types.



## Specifications

Fluid	Air/Inert gas
Operating pressure	0 to 1.0 MPa
Ambient and fluid temperature	-5 to 60°C (No freezing)
Effective area	19 mm <sup>2</sup>
Lubrication	Not required (Use turbine oil Class 1 ISO VG32, if lubricated.)
Port size	1/4
Weight (Basic)	111 g

## Model

Actuator	No. of ports	2 port	3 port	Actuator part no.	Application
Mechanical operation	Basic	VM220-02-00	VM230-02-00	—	—
	Roller lever	VM220-02-01	VM230-02-01	VM-01A	Polyacetal roller
		VM220-02-01S	VM230-02-01S	VM-01AS	Hard steel roller
	One way roller lever	VM220-02-02	VM230-02-02	VM-02A	Polyacetal roller
		VM220-02-02S	VM230-02-02S	VM-02AS	Hard steel roller
	Straight plunger	VM220-02-05	VM230-02-05	VM-05A	—
	Roller plunger	VM220-02-06	VM230-02-06	VM-06A	Polyacetal roller
		VM220-02-06S	VM230-02-06S	VM-06AS	Hard steel roller
	Cross roller plunger	VM220-02-07	VM230-02-07	VM-07A	Polyacetal roller
		VM220-02-07S	VM230-02-07S	VM-07AS	Hard steel roller
Manual operation	Toggle lever	VM220-02-08	VM230-02-08	VM-08A	—
	Push button (Mushroom)	VM220-02-30R	VM230-02-30R	VM-30AR	Red
		VM220-02-30B	VM230-02-30B	VM-30AB	Black
		VM220-02-30G	VM230-02-30G	VM-30AG	Green
		VM220-02-30Y	VM230-02-30Y	VM-30AY	Yellow
	Push button (Extended)	VM220-02-32R	VM230-02-32R	VM-32AR	Red
		VM220-02-32B	VM230-02-32B	VM-32AB	Black
		VM220-02-32G	VM230-02-32G	VM-32AG	Green
	Push button (Flush)	VM220-02-32Y	VM230-02-32Y	VM-32AY	Yellow
		VM220-02-33	VM230-02-33	VM-33A	With a set of red, black, green, yellow
	Twist selector (2 position)	VM220-02-34R	VM230-02-34R	VM-34AR	Red
		VM220-02-34B	VM230-02-34B	VM-34AB	Black
		VM220-02-34G	VM230-02-34G	VM-34AG	Green
		VM220-02-34Y	VM230-02-34Y	VM-34AY	Yellow
	Key selector (2 position)	VM220-02-36	VM230-02-36	VM-36A	—
VM230-02-35R		VM250-02-35R	—	Red	
Twist selector (3 position)	VM230-02-35B	VM250-02-35B	—	Black	
	VM230-02-35G	VM250-02-35G	—	Green	
	VM230-02-35Y	VM250-02-35Y	—	Yellow	
	(3 port)	(5 port)	—	—	
Foot pedal	VM220-02-40	VM230-02-40	—	—	



Note 1) Actuator replacement is available for all types except twist selector (3 position) and foot pedal.

Note 2) For push button (mushroom), push button (extended), push button (flush) and a single unit of fastening ring, refer to pages 5-6-6 to 5-6-7. The other parts are not replaceable.

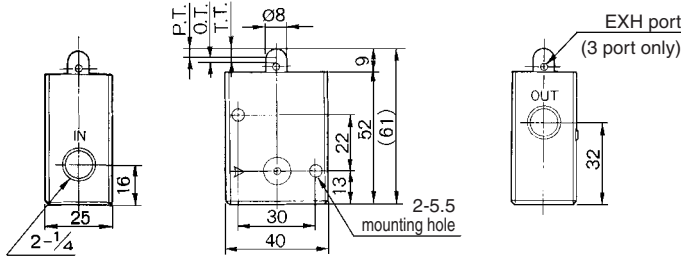
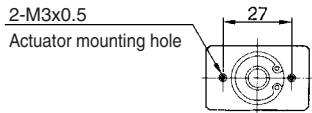
Note 3) The handle of the selector (2 position and 3 position) cannot be removed or replaced alone.

# Series VM200

## Series VM200

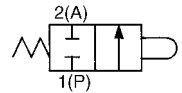
### Basic

VM220-02-00  
VM230-02-00

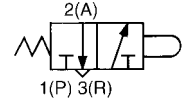


### JIS Symbol

2 port



3 port

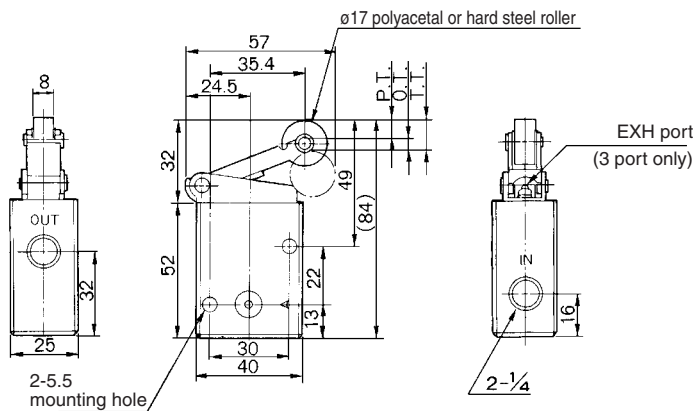


\* 0.5 MPa supply

F.O.F. *	52 N
P.T.	3.0 mm
O.T.	2.0 mm
T.T.	5.0 mm

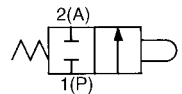
### Roller lever

VM220-02-01  
VM230-02-01  
VM220-02-01S  
VM230-02-01S

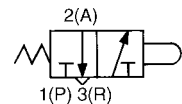


### JIS Symbol

2 port



3 port

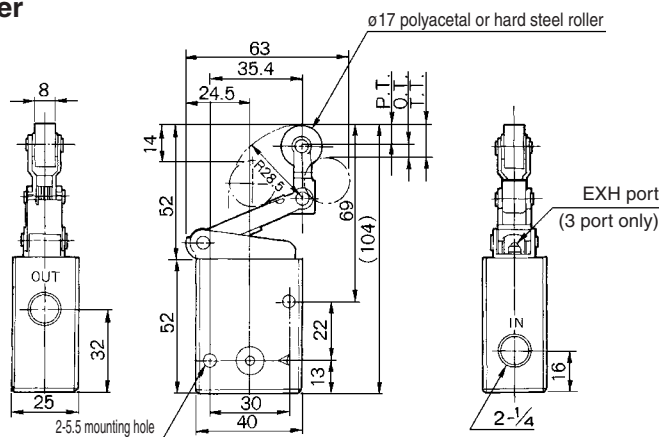


\* 0.5 MPa supply

F.O.F. *	24 N
P.T.	6.5 mm
O.T.	4.5 mm
T.T.	11.0 mm

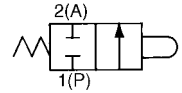
### One way roller lever

VM220-02-02  
VM230-02-02  
VM220-02-02S  
VM230-02-02S

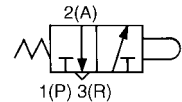


### JIS Symbol

2 port



3 port

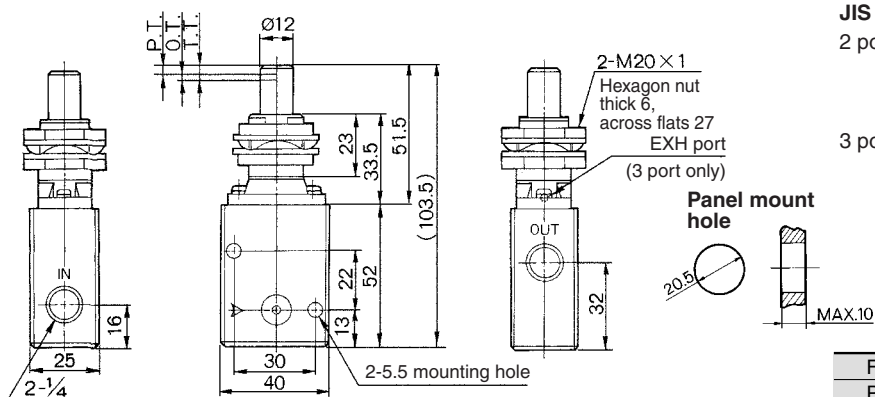


\* 0.5 MPa supply

F.O.F. *	22 N
P.T.	7.0 mm
O.T.	5.0 mm
T.T.	12.0 mm

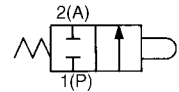
### Straight plunger

VM220-02-05  
VM230-02-05

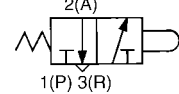


### JIS Symbol

2 port



3 port



\* 0.5 MPa supply

F.O.F. *	56 N
P.T.	3.5 mm
O.T.	2.0 mm
T.T.	5.5 mm