

Metering Valve with Silencer Series ASN2

Superior sound reducing performance

Over 20 dB at max. flow rate

Cylinder speed easily set

Shape of needle is the same as that of speed controller

Retainer prevents accidental loss of needle

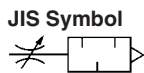
Model

Model	Port size	Effective area (mm ²)	Weight (g)
ASN2-M5	M5 x 0.8	1.8	5
ASN2-U10/32	10-32 UNF	1.8	5
ASN2-01	1/8	3.6	17
ASN2-02	1/4	6.5	34
ASN2-03	3/8	16.6	55
ASN2-04	1/2	24.5	107

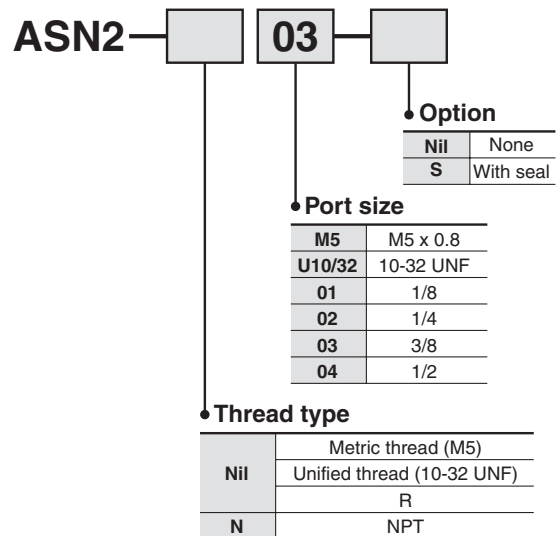
Specifications

Proof pressure	1.5 MPa
Operating pressure range	0 to 1 MPa
Ambient and fluid temperature	- 5 to 60°C (No freezing)
Number of needle rotations	10 turns (8 turns ^{Note)})

Note) () is the case of ASN2-M5 and ASN2-U10/32.



How to Order



AS

ASP

ASN

AQ

ASV

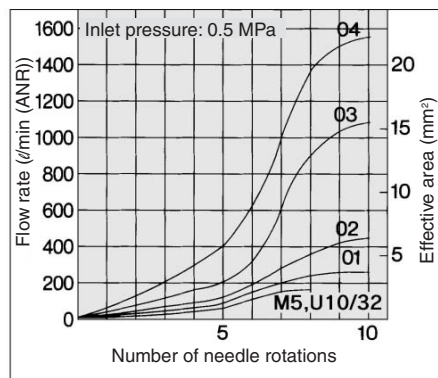
AK

ASS

ASR

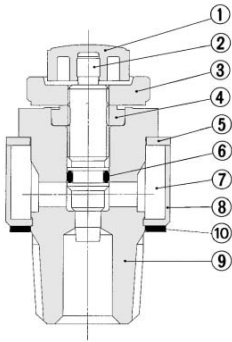
ASF

Needle Valve/Flow Characteristics



Series ASN

Construction

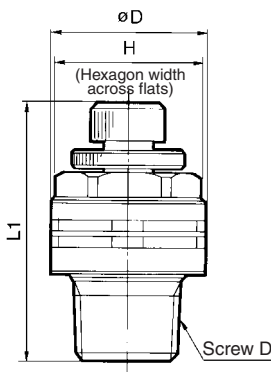


Component Parts

No.	Description	Material	Note
①	Handle	PBT	
②	Needle	Brass	Electroless nickel plated
③	Lock nut	Brass (Note)	Electroless nickel plated
④	Needle guide	Brass	Electroless nickel plated
⑤	Washer	Carbon steel	Nickel plated
⑥	O-ring	NBR	
⑦	Silencer	PVA sponge	
⑧	Silencer cover	Soft polyethylene	
⑨	Body B	Brass	Electroless nickel plated
⑩	Gasket	NBR/Stainless steel 304	M5, U10/32 only

Note) ASN2-01/02 type is made of steel.

Dimensions



Dimensions

Model	Screw D	øD	L1		H
			Min	Max	
ASN2-M5	M5 x 0.8	10	20.5	23.3	8
ASN2-U10/32	10-32 UNF	10	20.5	23.3	8
ASN2-01	1/8	15	30	35	12(12.7)
ASN2-02	1/4	20	34.2	39.2	17(17.5)
ASN2-03	3/8	25	37	42	19
ASN2-04	1/2	30	49	54	24(23.8)

Note) (in parentheses) are the dimensions of "NPT" screw specifications.

⚠ Caution

Be sure to read before handling. Refer to pages 15-18-3 to 15-18-4 for Safety Instructions and Common Precautions on the products mentioned in this catalog, and refer to pages 15-8-6 to 15-8-8 for Precautions on every series.