

# Multi-connector Series *DM*

No. of Connecting Tubes: 6, 12

The use of the multi-connector enables panel mount connections with other apparatus and can provide the reliability of one-touch installation and removal of multi-tubes (nylon, polyurethane). As a result, separate transportation of panel, machinery, and backup units is made easy.

### One-touch installation and removal

Employs the unique built-in keying mechanism which provides one-touch installation and removal capability even in hard to see locations. In addition, it prevents installation mistakes when re-connecting.

### Installation processes are reduced considerably

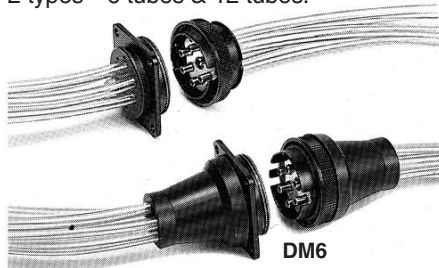
As compared with the use of many bulk-head unions, this installation is very easy and installation time is reduced considerably.

### Reliable tube retaining force

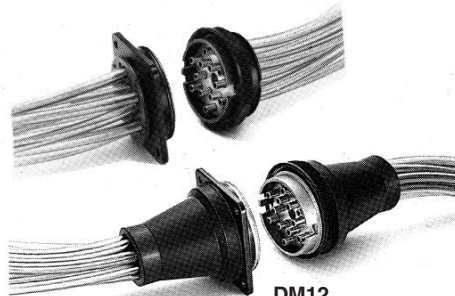
This construction mechanism enables clamping and unclamping of every tube in use by one operation and can provide a reliable tube retaining force.

### No. of connecting tubes

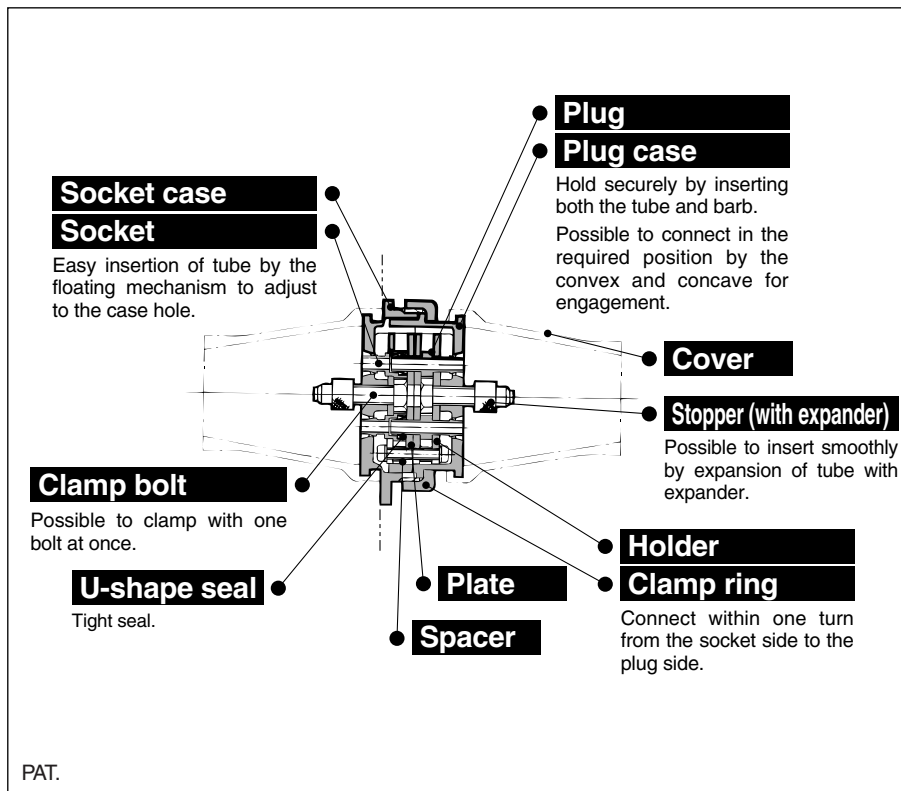
2 types—6 tubes & 12 tubes.



DM6



DM12



### Model

No. of connecting tubes	Model			Applicable tubing			Accessory (Option)
	Multi-connector	Plug side	Socket side	Nylon	Soft nylon	Polyurethane	
6	DM6-04N	DM6P-04N	DM6S-04N	T0425	—	—	DM-C-6
	DM6-04NU	DM6P-04NU	DM6S-04NU	T0403	TS0425	TU0425	
	DM6-06N	DM6P-06N	DM6S-06N	T0604	—	—	
	DM6-06NU	DM6P-06NU	DM6S-06NU	T0645	TS0604	TU0604	
12	DM12-04N	DM12P-04N	DM12S-04N	T0425	—	—	DM-C-12
	DM12-04NU	DM12P-04NU	DM12S-04NU	T0403	TS0425	TU0425	
	DM12-06N	DM12P-06N	DM12S-06N	T0604	—	—	
	DM12-06NU	DM12P-06NU	DM12S-06NU	T0645	TS0604	TU0604	

### Specifications

Fluid	Air
Maximum operating pressure	1.0 MPa
Ambient and fluid temperature	-5 to 60°C (No freezing)

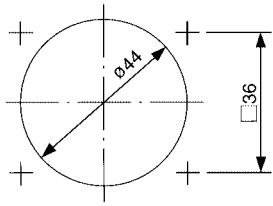
### Principal Parts Material

Socket case, Plug case, Clamp ring	ADC12 black anodized
Plate	SPCC, Chromated
Holder	SPCC, Zinc chromated
Socket, Plug, Stopper	C3604BD
U packing	NBR
Cover	CR
Cross-recessed head machine screw, Clamp bolt	SWRM Zinc chromated
Spacer	SPC Zinc chromated

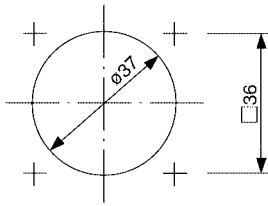
# Series DM

## Dimensions: DM6/12

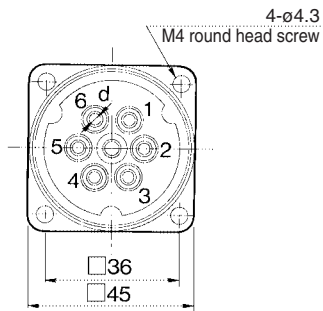
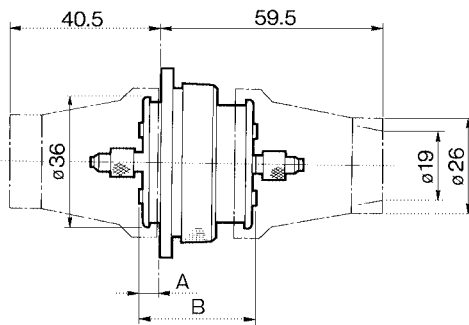
### DM6



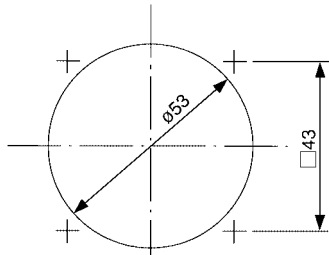
Panel mounting hole  
(with the cover at socket side)



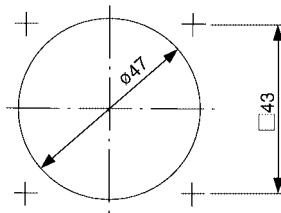
Panel mounting hole



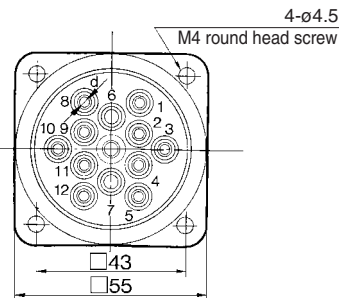
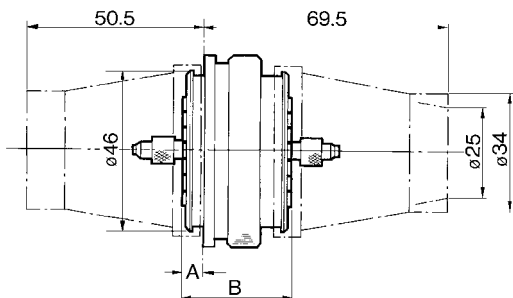
### DM12



Panel mounting hole  
(with the cover at socket side)



Panel mounting hole



Model		Barb I.D. (d)	A	B
DM6-04N	DM12-04N	1.6	5	31
DM6-06N	DM12-06N	3		
DM6-04NU	DM12-04NU	1.6	6	31
DM6-06NU	DM12-06NU	3		