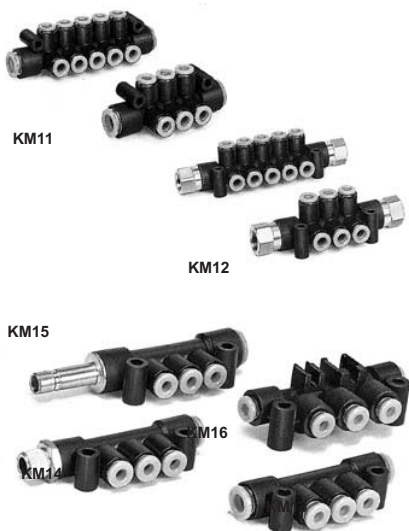


One-touch Fittings Manifold Series *KM*

Compact piping.
Many varieties (40 types)
available.
One-touch fittings give
the most efficient
operation.



Model

Model	Porting		Number of Port A	Port B size	Port A size		
	Port A	Port B			ø4	ø6	ø8
KM11	One-touch fitting	One-touch fitting	6, 10	ø8	●		
				ø10		●	
				ø12			●
KM12	One-touch fitting	Rc(PT)female thread	6, 10	Rc(PT) 1/4	●	●	
				Rc(PT) 3/8			●
KM13	One-touch fitting	One-touch fitting	3	ø6	●		
				ø8	●	●	
				ø10		●	●
KM14	One-touch fitting	One-touch fitting R(PT)male thread	3	ø6, R(PT) 1/8	●		
				ø6, R(PT) 1/4	●		
				ø6, R(PT) 3/8	●		
				ø8, R(PT) 1/8	●	●	
				ø8, R(PT) 1/4	●	●	
				ø8, R(PT) 3/8	●	●	
				ø10, R(PT) 1/4		●	●
ø10, R(PT) 3/8		●	●				
KM15	One-touch fitting	One-touch fitting Rod	3	ø6	●		
				ø8	●	●	
				ø10		●	●
KM16	One-touch fitting	One-touch fitting	3	ø4	●		
				ø6	●	●	

Applicable Tubing

Tube material	Nylon, Soft nylon, Polyurethane
Tube O.D.	ø4, ø6, ø8, ø10, ø12

Specifications

Model	KM11	KM12	KM13	KM14	KM15	KM16
Fluid	Air, Water ⁽¹⁾					
Max. operating pressure	1.0MPa					
Proof pressure	3.0MPa					
Ambient and fluid temperature	-5 to 60°C, Water: 0 to 40°C (No freezing)					
Thread	—	JIS B0203 (Taper thread)	—	JIS B0203 (Taper thread)	—	—
Accessories	None	Hexagon socket head blank plug with sealant: 1 pc.	None	None	None	None



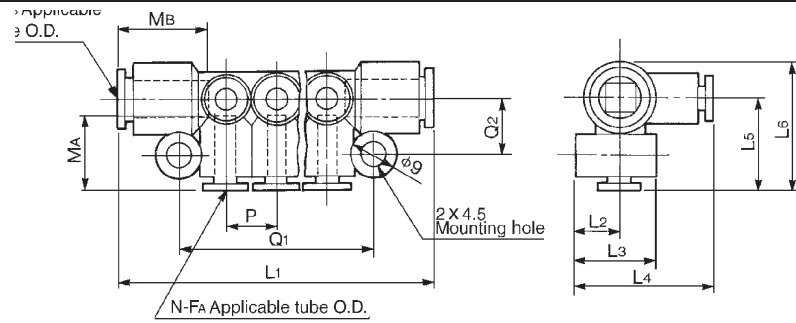
Note1) Applicable for general industry water. Consult SMC if using for other kinds of fluid.
Surge pressure must be under the max. operating pressure.

Component Materials

Model	KM11	KM12	KM13	KM14	KM15	KM16
Body	PBT					
Stud	—	C3604BD	—	C3604BD	C3604BD·PBT	—
Chuck	Stainless steel (SUS304)					
Guide	C3604BD, Stainless steel (SUS304)					
Collet, Release button	Polyacetal (POM)					
Packing, O ring	NBR					

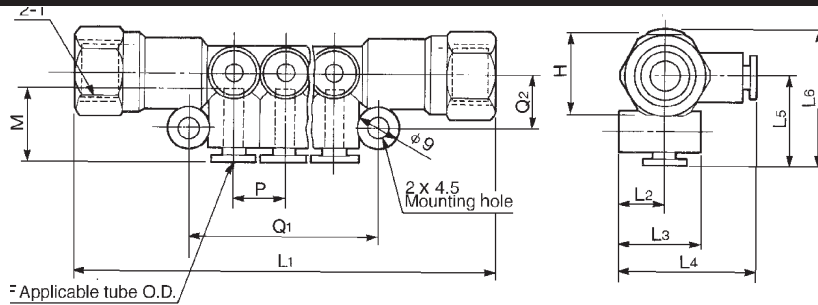
Series KM

KM11



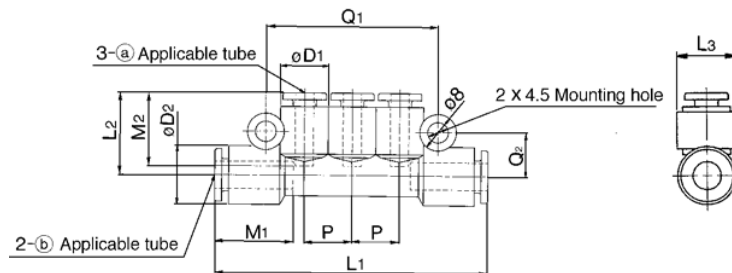
Tube O.D. (mm)		Part No.	N	L1	L2	L3	L4	L5	L6	P	Q1	Q2	MA	MB	Port B min. port size	Weight (g)
FA	FB															
4	8	KM11-04-08-6	6	65	10	18	29.5	19.5	27	10.6	40	12	16	18.5	6	19
		KM11-04-08-10	10	86	10	18	29.5	19.5	27	10.6	61.5	12	16	18.5	6	26
6	10	KM11-06-10-6	6	76	10	19.5	31.5	21.5	31	13	47	13.5	17	21	7.5	29
		KM11-06-10-10	10	102	10	19.5	31.5	21.5	31	13	73	13.5	17	21	7.5	39
8	12	KM11-08-12-6	6	85	11.5	22.5	35.5	24	34.5	15.5	55	14.7	18.5	22	9	41
		KM11-08-12-10	10	116	11.5	22.5	35.5	24	34.5	15.5	86	14.7	18.5	22	9	57

KM12



Tube O.D. F (mm)	Thread Rc(PT)	Part No.	N	H (Hex.)	L1	L2	L3	L4	L5	L6	P	Q1	Q2	M	Port B min. port size	Weight (g)
4	1/4															
		KM12-04-02-10	10	17	110	10	18	29.5	19.5	29	10.6	61.5	12	16	6	72
6	1/4	KM12-06-02-6	6	17	99	10	19.5	31.5	21.5	31	13	47	13.5	17	7.5	81
		KM12-06-02-10	10	17	125	10	19.5	31.5	21.5	31	13	73	13.5	17	7.5	91
8	3/8	KM12-08-03-6	6	19	108	11.5	22.5	35.5	24	34.5	15.5	55	14.7	18.5	9	97
		KM12-08-03-10	10	19	139	11.5	22.5	35.5	24	34.5	15.5	86	14.7	18.5	9	112

KM13



Tube O.D. (mm)		Part No.	øD1	øD2	L1	L2	L3	P	Q1	Q2	M1	M2	Port B min. port size	Weight (g)
a	b													
4	6	KM13-04-06-3	10.4	12.8	60	18	13	10.4	38.2	9.9	17	16	4.5	11
	8	KM13-04-08-3		15.2	63.5	19	15.5							
6	8	KM13-06-08-3	12.8	15.2	70.5	20	15.5	12.8	45.4	11.1	18.5	17	6	16
	10	KM13-06-10-3		18.5	74.5	21	19							
8	10	KM13-08-10-3	15.2	18.5	81.5	22.5	19	15.2	52.6	12.8	21	18.5	7.5	26