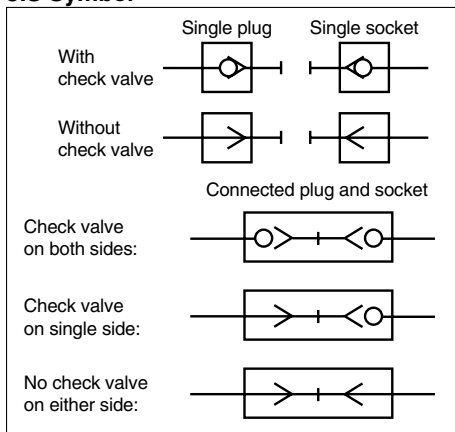


# S Couplers Series KKA

Stainless steel type



### JIS Symbol



### Characteristics with check valve on both sides

Body size	Liquid dripping cm <sup>3</sup> at each removal	Aeration cm <sup>3</sup> at each removal
KKA3	0.02	0.1
KKA4	0.04	0.1
KKA6	0.06	0.2
KKA7	0.14	0.5
KKA8	0.27	0.9
KKA9	0.77	2.7

### Liquid dripping:

Volume of water leakage at the time when the plug and socket are uncoupled.

### Aeration:

Volume of external air entrained when the plug and socket are connected.

### Specifications

<b>Fluid</b>	Water, Air
<b>Operating pressure range</b> <small>Note 1)</small>	KKA3: -100 kPa to 1 MPa KKA4/6/7/8/9: 0 to 1 MPa
<b>Proof pressure</b>	10 MPa
<b>Ambient and fluid temperature</b>	-5 to 150°C (No freezing) <small>Note 2)</small> This product should not be used with steam.
<b>Non-greased specification</b>	No grease is used. Rubber: Fluorine coated, (Metal sliding parts: Plated with fluorine-contained material)
<b>Material</b>	Metal part: Stainless steel 304, Rubber material: Fluoro rubber (Special FKM)
<b>Seal</b>	With male thread sealant

Note 1) Do not use the S couplers with a leak tester or for vacuum retention because they are not guaranteed for zero leakage.  
Note 2) When fluid contains copper ions, please use KKA□-X70. (p. 275)

### Performance

<b>Plug and socket connection</b>	One-touch connection and release
<b>Check valve</b>	Check valve on both sides, Without check valve

Note) Series KKA cannot be connected with Series KK or Series KKH.

### Effective Area

	Built-in check valve	Plug	Socket	Effective area mm <sup>2</sup>
Plug: With check valve Socket: With check valve		KKA3P-01F	KKA3S-01F	17.4
		KKA4P-02F	KKA4S-02F	26.4
		KKA6P-04F	KKA6S-04F	54.2
		KKA7P-06F	KKA7S-06F	99.6
		KKA8P-10F	KKA8S-10F	168.3
		KKA9P-12F	KKA9S-12F	332.1
Plug: Without check valve Socket: With check valve		KKA3P-01M-1	KKA3S-01M	18.5
		KKA4P-02M-1	KKA4S-02M	31.8
		KKA6P-04M-1	KKA6S-04M	55.3
Plug: Without check valve Socket: Without check valve		KKA3P-01M-1	KKA3S-01M-1	22.6
		KKA4P-02M-1	KKA4S-02M-1	40.2
		KKA6P-04M-1	KKA6S-04M-1	76.0

### How to Order

KKA 4 P - 02 M

**Body size**

3	1/8
4	1/4
6	1/2
7	3/4
8	1
9	1 1/4

**Socket/Plug designation**

P	Plug
S	Socket

**Port size**

Symbol	Thread size
01	R, Rc 1/8
02	R, Rc 1/4
03	R, Rc 3/8
04	R, Rc 1/2
06	R, Rc 3/4
10	R, Rc 1
12	R, Rc 1 1/4
14	R, Rc 1 1/2

**Built-in check valve**

Nil	With check valve
-1	Without check valve

Note) KKA7/8/9 is not available without a check valve. Contact us when such a type is needed.

**Connection type**

Symbol	Type
M	Male thread (with sealant)
F	Female thread

**Built-in check valve**

	Plug	Socket	Availability
Yes	Yes	Yes	○
No	No	Yes	○
No	No	No	○
Yes	Yes	No	×

Note) A plug with check valve should be used in combination with a socket with check valve.  
If a socket without check valve is used, the check valve of the plug will not open.

## Dimensions/Socket (S)

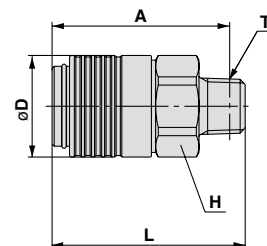
With check valve

Male thread type

(mm)



Body size	Model	T Connection port size	H Width across flats	øD	L	A	Min. bore size	Effective area mm <sup>2</sup>	Mass g
1/8	KKA3S-01M	R 1/8	17	18.5	38.1	34.1	5.9	18.5	38.5
	-02M	R 1/4			41.1	35.1			41.8
	-03M	R 3/8			42.1	35.6			46.3
1/4	KKA4S-02M	R 1/4	22	24.2	46.0	40.0	7.7	31.8	76.8
	-03M	R 3/8			47.0	40.5			78.5
	-04M	R 1/2			50.0	42.0			86.6
1/2	KKA6S-03M	R 3/8	30	30.7	51.4	44.9	10.2	55.3	149.1
	-04M	R 1/2			54.4	46.4			160.4
	-06M	R 3/4			56.4	46.9			184.8
3/4	KKA7S-04M	R 1/2	36	42.5	76.3	68.1	13.6	101.5	426.1
	-06M	R 3/4			79.3	69.8			457.8
	-10M	R 1			82.8	72.4			514.0
1	KKA8S-06M	R 3/4	46	55	94.9	85.4	17.6	169.9	873.5
	-10M	R 1			98.4	88.0			931.1
	-12M	R 1 1/4			100.4	87.7			1012.9
1 1/4	KKA9S-10M	R 1	63	69	125.5	115.1	25.1	344.9	1680.7
	-12M	R 1 1/4			127.5	114.8			1758.1
	-14M	R 1 1/2			127.5	114.8			1819.4



- K
- M
- H
- KK
- D
- MS
- LQ
- MQR
- T

Female thread type

(mm)



Body size	Model	T Connection port size	H Width across flats	øD	L	Min. bore size	Effective area mm <sup>2</sup>	Mass g
1/8	KKA3S-01F	Rc 1/8	17	18.5	37.6	5.9	18.5	46.9
	-02F	Rc 1/4			41.2			47.2
	-03F	Rc 3/8			43.1			52.3
1/4	KKA4S-02F	Rc 1/4	22	24.2	46.1	7.7	31.8	97.1
	-03F	Rc 3/8			46.9			91.1
	-04F	Rc 1/2			52.3			104.3
1/2	KKA6S-03F	Rc 3/8	30	30.7	50.5	10.2	55.3	189.6
	-04F	Rc 1/2			56.2			202.0
	-06F	Rc 3/4			57.9			180.6
3/4	KKA7S-04F	Rc 1/2	36	42.5	75.1	13.6	101.5	477.2
	-06F	Rc 3/4			76.5			457.4
	-10F	Rc 1			82.3			550.9
1	KKA8S-06F	Rc 3/4	46	55	90.9	17.6	169.9	935.2
	-10F	Rc 1			93.9			914.7
	-12F	Rc 1 1/4			99.2			1002.1
1 1/4	KKA9S-10F	Rc 1	63	69	121.8	25.1	344.9	1919.1
	-12F	Rc 1 1/4			121.8			1810.0
	-14F	Rc 1 1/2			121.8			1732.6

