

# S Couplers

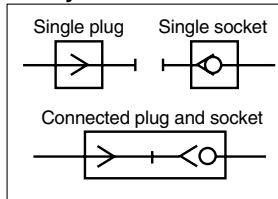
## Series KK



Series KK2

Series KK3/4/6

### JIS Symbol



### Specifications

<b>Fluid</b>	Air, Water
<b>Operating pressure range</b> <small>Note)</small>	KK2: -100 kPa to 1 MPa KK3: -90 kPa to 1 MPa KK4/6: 0 to 1 MPa
<b>Proof pressure</b>	1.5 MPa
<b>Ambient and fluid temperature</b>	Air: -5 to 60°C Water: 5 to 40°C (No freezing)
<b>Plating, Sealant</b>	Electroless nickel plated (copper-free and fluorine-free application), With male thread sealant

Note) Do not use the S couplers with a leak tester or for vacuum retention because they are not guaranteed for zero leakage.

### Performance

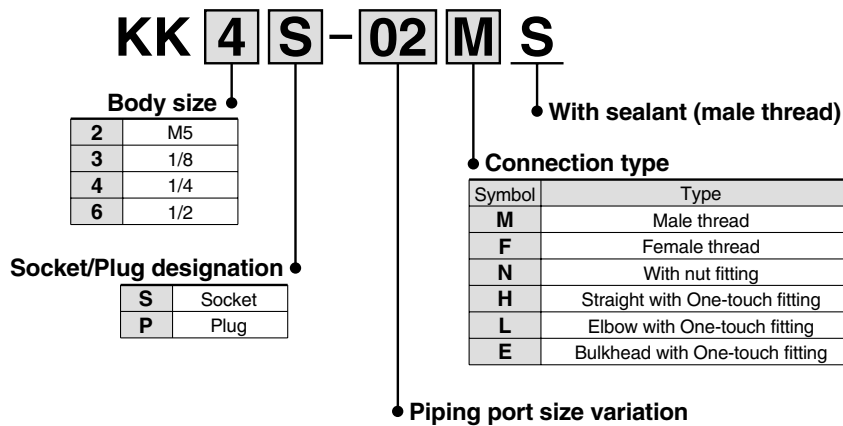
<b>Plug and socket connection</b>	One-touch connection and release
<b>Check valve</b>	Socket: Built-in check valve (standard)
<b>Sleeve lock mechanism</b> <small>Note)</small>	Manual locking type (standard)

Note) Series KK2 is not provided with lock mechanism.

### Effective Area

Body size	Plug	Socket	Effective area mm <sup>2</sup>
M5	KK2P-M5M	KK2S-M5M	3.8
1/8	KK3P-01MS	KK3S-01MS	20
1/4	KK4P-02MS	KK4S-02MS	39
1/2	KK6P-04MS	KK6S-04MS	82

### How to Order



#### Male/Female thread type

Symbol	Thread size
M5	M5 x 0.8
01	R, Rc 1/8
02	R, Rc 1/4
03	R, Rc 3/8
04	R, Rc 1/2
06	R, Rc 3/4

#### One-touch fitting type

Symbol	Applicable tubing O.D. mm
23	ø3.2
04	ø4
06	ø6
08	ø8
10	ø10
12	ø12
16	ø16

#### Nut fitting type

Symbol	Applicable hose I.D./O.D. mm
50	5/8
60	6/9
65	6.5/10
80	8/12
85	8.5/12.5
110	11/16

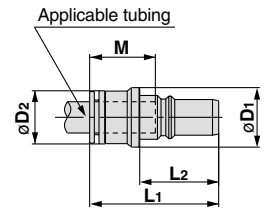
- K
- M
- H
- KK
- D
- MS
- LQ
- MQR
- T

## Straight type with One-touch fitting

(mm)



Body size	Model	Applicable tubing O.D.	øD1	øD2	L1	L2	M	Min. bore size	Effective area mm <sup>2</sup>		Mass g	
									Urethane tubing	Nylon tubing		
M5	KK2P-23H	ø3.2	10.0	7.0	23.7	12.3	12.7	2.5	3.7	4.4	3.3	
	-04H	ø4		8.0					8.1	8.1	3.4	
	-06H	ø6		10.0					26.7	13.5	3.4	8.1
1/8	KK3P-04H	ø4	12.0	10.0	35.4	18.4	16.0	3.2	3.9	5.6	7.9	
	-06H	ø6	14.0	12.0					4.7	10.1	12.8	9.1
	-08H	ø8	16.0	14.0					6.0	15.7	22.6	13.2
	-10H	ø10	19.0	17.0					21.0	22.6	22.6	17.6
1/4	KK4P-06H	ø6	14.0	12.0	46.2	25.2	17.0	4.7	10.1	12.8	22.3	
	-08H	ø8	16.0	14.0					6.2	19.8	22.6	23.0
	-10H	ø10	19.0	17.0					7.7	27.6	35.3	27.1
	-12H	ø12	21.0	19.0					9.0	40.2	50.9	30.0
1/2	KK6P-12H	ø12	21.0	19.0	56.1	31.0	22.0	9.2	41.2	50.9	44.4	
	-16H	ø16	26.0	23.8					25.0	13.0	—	106.2



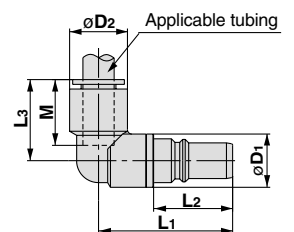
- K
- M
- H
- KK
- D
- MS
- LQ
- MQR
- T

## Elbow type with One-touch fitting

(mm)



Body size	Model	Applicable tubing O.D.	øD1	øD2	L1	L2	L3	M	Min. bore size	Effective area mm <sup>2</sup>		Mass g				
										Urethane tubing	Nylon tubing					
M5	KK2P-23L	ø3.2	10.0	9.3	24.0	12.3	16.5	12.7	2.5	3.6	4.3	5.8				
	-04L	ø4		11.6						25.1	16.6	13.5	3.4	7.8	7.8	6.4
	-06L	ø6		12.8						32.8	18.0	16.0	3.0	3.7	5.3	7.2
1/8	KK3P-04L	ø4	10.4	31.6	18.4	18.4	18.0	16.0	3.0	3.7	5.3	7.2				
	-06L	ø6	12.8	32.8						4.5	10.1	11.4	8.0			
	-08L	ø8	12.0	15.2						34.0	6.0	15.0	16.8	9.7		
	-10L	ø10	17.0	18.5						36.0	6.0	18.0	18.5	23.0		
1/4	KK4P-06L	ø6	14.0	40.2	25.2	25.2	20.0	17.0	4.5	10.1	11.4	19.6				
	-08L	ø8	15.2	41.4						6.0	17.5	19.8	21.3			
	-10L	ø10	17.0	42.8						7.5	24.7	27.5	25.7			
	-12L	ø12	19.0	44.0						9.0	29.0	29.6	28.0			
1/2	KK6P-12L	ø12	19.0	49.9	31.0	31.0	28.5	22.0	9.0	38.1	39.7	40.3				
	-16L	ø16	21.0	26.5						53.5	34.0	25.0	13.0	—	58.7	48.7



## Bulkhead type with One-touch fitting

(mm)



Body size	Model	Applicable tubing O.D.	T Threads	H1 Width across flats	H2 Width across flats	L1	L2	L3	M	Min. bore size	Effective area mm <sup>2</sup>		Mass g					
											Urethane tubing	Nylon tubing						
M5	KK2P-23E	ø3.2	M8 x 0.75	10	10	28.3	12.3	12.5	12.7	2.5	3.7	4.4	6.0					
	-04E	ø4	M9 x 0.75		11						12.7	13.5	3.4	8.1	8.1	6.6		
	-06E	ø6	M11 x 0.75		14						14	28.6	16.9	16.0	3.2	3.9	5.6	16.6
1/8	KK3P-04E	ø4	M12 x 1	17	17	40.2	18.4	16.8	17.0	4.7	10.1	12.8	22.3					
	-06E	ø6	M14 x 1		19						43.4	6.0	15.7	22.6	30.2			
	-08E	ø8	M16 x 1		22						24	46.4	22.0	21.0	6.0	22.6	22.6	54.7
	-10E	ø10	M20 x 1		17						17	47.0	16.8	17.0	4.7	10.1	12.8	30.6
1/4	KK4P-06E	ø6	M14 x 1	17	17	50.2	25.2	20.0	18.5	6.2	19.8	22.6	38.2					
	-08E	ø8	M16 x 1		19						50.2	22.0	21.0	7.7	27.6	35.3	61.4	
	-10E	ø10	M20 x 1		22						24	53.2	22.0	21.0	7.7	27.6	35.3	61.4
	-12E	ø12	M22 x 1		24						27	54.2	23.0	22.0	9.0	40.2	50.9	75.2
1/2	KK6P-12E	ø12	M22 x 1	30	30	62.6	31.0	24.5	25.0	13.0	41.2	50.9	86.1					
	-16E	ø16	M28 x 1.5		30						32	62.6	24.5	25.0	13.0	—	106.2	125.0

