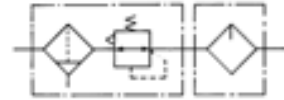


Filter Regulator + Lubricator

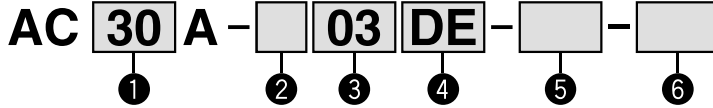
AC10A to AC60A

JIS Symbol



Filter Regulator Lubricator

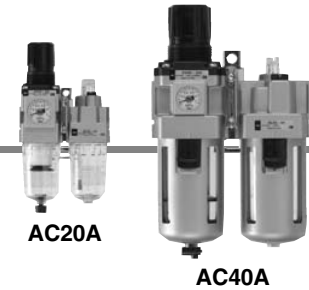
How to Order



- Option/Semi-standard: Select one each for a to l.
- Option/Attachment/Semi-standard symbol: When more than one specification is required, indicate in alphanumeric order.
Example) AC30A-F03DE1-KSV-136NR

		Symbol	Description	①						
				Body size						
				10	20	30	40	50	60	
②	Thread type	Nil	Metric thread (M5)	●	—	—	—	—	—	
		N <small>Note 1)</small>	Rc	—	●	●	●	●	●	
		F <small>Note 2)</small>	NPT	—	●	●	●	●	●	
			G	—	●	●	●	●	●	
+										
③	Port size	M5	M5	●	—	—	—	—	—	
		01	1/8	—	●	—	—	—	—	
		02	1/4	—	●	●	●	—	—	
		03	3/8	—	—	●	●	—	—	
		04	1/2	—	—	—	●	—	—	
		06	3/4	—	—	—	●	●	—	
		10	1	—	—	—	—	●	●	
+										
④	a	Float type auto drain	Nil	Without auto drain	●	●	●	●	●	●
			C	Float type auto drain (N.C.)	●	●	●	●	●	●
			D	Float type auto drain (N.O.)	—	—	●	●	●	●
	+									
	b	Pressure gauge	Nil	Without pressure gauge	—	●	●	●	●	●
			E	Square embedded type pressure gauge (with limit indicator)	—	●	●	●	●	●
			G	Round type pressure gauge (without limit indicator)	●	—	—	—	—	—
			M	Round type pressure gauge (with color zone)	—	●	●	●	●	●
		Digital pressure switch	E1	Output: NPN output / Electrical entry: Wiring bottom entry	—	●	●	●	●	●
			E2	Output: NPN output / Electrical entry: Wiring top entry	—	●	●	●	●	●
E3			Output: PNP output / Electrical entry: Wiring bottom entry	—	●	●	●	●	●	
E4	Output: PNP output / Electrical entry: Wiring top entry	—	●	●	●	●	●			
+										
⑤	c	Check valve	Nil	Without attachment	●	●	●	●	●	
			K	Mounting position: AW+K+AL	—	●	●	● <small>Note 4)</small>	—	—
	+									
	d	Pressure switch	Nil	Without attachment	●	●	●	●	●	●
			S <small>Note 5)</small>	Mounting position: AW+S+AL	—	●	●	●	●	●
	+									
e	3-port valve for residual pressure release	Nil	Without attachment	●	●	●	●	●	●	
		V	Mounting position: AW+AL+V	—	●	●	●	●	—	
+										
⑥	f	Set pressure	Nil	0.05 to 0.85 MPa setting	●	●	●	●	●	●
			1 <small>Note 6)</small>	0.02 to 0.2 MPa setting	●	●	●	●	●	●
	+									
	g	Bowl <small>Note 7)</small>	Nil	Polycarbonate bowl	●	●	●	●	●	●
			2	Metal bowl	●	●	●	●	●	●
			6	Nylon bowl	●	●	●	●	●	●
			8	Metal bowl with level gauge	—	—	●	●	●	●
			C	With bowl guard	—	●	—	—	—	—
			6C	Nylon bowl with bowl guard	—	●	—	—	—	—
	+									
	h	Filter regulator drain port <small>Note 8)</small>	Nil	With drain cock	●	●	●	●	●	●
			J <small>Note 9)</small>	Drain guide 1/8	—	●	—	—	—	—
				Drain guide 1/4	—	—	●	●	●	●
W <small>Note 10)</small>			Drain cock with barb fitting: For ø6 x ø4 nylon tube	—	—	●	●	●	●	

Air Combination Series AC10A to AC60A



		Symbol	Description	①						
				Body size						
				10	20	30	40	50	60	
⑥	i	Lubricator lubricant exhaust port	Nil	Without drain cock	●	●	●	●	●	●
			3	Lubricator with drain cock	●	●	●	●	●	●
				+						
	j	Exhaust mechanism	Nil	Relieving type	●	●	●	●	●	●
			N	Non-relieving type	●	●	●	●	●	●
				+						
	k	Flow direction	Nil	Flow direction: Left to right	●	●	●	●	●	●
			R	Flow direction: Right to left	●	●	●	●	●	●
				+						
	l	Pressure unit	Nil	Name plate and pressure gauge in imperial units: MPa	●	●	●	●	●	●
Z ^{Note 11)}			Name plate, caution plate for bowl, and pressure gauge in imperial units: psi, °F	○ ^{Note 13)}	○ ^{Note 13)}	○ ^{Note 13)}	○ ^{Note 13)}	○ ^{Note 13)}	○ ^{Note 13)}	
ZA ^{Note 12)}			Digital pressure switch: With unit conversion function	—	△ ^{Note 14)}	△ ^{Note 14)}	△ ^{Note 14)}	△ ^{Note 14)}	△ ^{Note 14)}	

Note 1) Drain guide is NPT1/8 (applicable to the AC20A) and NPT1/4 (applicable to the AC30A to AC60A). The auto drain port comes with ø3/8" one-touch fitting (applicable to the AC30A to AC60A).

Note 2) Drain guide is G1/8 (applicable to the AC20A) and G1/4 (applicable to the AC30A to AC60A).

Note 3) Option G, M are not assembled and supplied loose at the time of shipment.

Note 4) Not available with piping port size: 06.

Note 5) The bracket position varies depending on the pressure switch mounting.

Note 6) The only difference from the standard specifications is the adjusting spring for the regulator. It does not restrict the setting of 0.2 MPa or more. When the pressure gauge is attached, a 0.2 MPa pressure gauge will be fitted.

Note 7) Refer to Chemical Data on page 287 when selecting a case material.

Note 8) Float type auto drain: The combination of C and D is not possible.

Note 9) Without a valve function

Note 10) Metal bowl: The combination of 2 and 8 is not possible.

Note 11) For thread type: M5 and NPT. This product is for overseas use only according to the new Measurement Law. (The SI unit type is provided for use in Japan.) The digital pressure switch will be equipped with the unit conversion function, setting to psi initially.

MPa and psi are shown together on the pressure unit. The combination of the round type pressure gauge with color zone "M" and a psi display "Z" is not orderable as a standard product. However, this combination is available as a special.

Note 12) For options: E1, E2, E3, E4. This product is for overseas use only according to the new Measurement Law. (The SI unit is provided for use in Japan.)

Note 13) ○: For thread type: M5 and NPT only
Note 14) △: Select with options: E1, E2, E3, E4.

Standard Specifications

Model		AC10A	AC20A	AC30A	AC40A	AC40A-06	AC50A	AC60A
Component	Filter regulator	AW10	AW20	AW30	AW40	AW40-06	AW60	AW60
	Lubricator	AL10	AL20	AL30	AL40	AL40-06	AL50	AL60
Port size		M5 x 0.8	1/8, 1/4	1/4, 3/8	1/4, 3/8, 1/2	3/4	3/4, 1	1
Pressure gauge port size ^{Note 1)}		1/16	1/8		1/4			
Fluid		Air						
Ambient and fluid temperature ^{Note 2)}		-5 to 60°C (with no freezing)						
Proof pressure		1.5 MPa						
Maximum operating pressure		1.0 MPa						
Set pressure range		0.05 to 0.7 MPa	0.05 to 0.85 MPa					
Relief pressure		Set pressure + 0.05 MPa ^{Note 3)} [at relief flow rate of 0.1 l/min (ANR)]						
Nominal filtration rating		5 μm						
Recommended lubricant		Class 1 turbine oil (ISO VG32)						
Bowl material		Polycarbonate						
Bowl guard		—	Semi-standard	Standard				
Regulator construction		Relieving type						
Mass (kg)		0.20	0.38	0.75	1.41	1.46	3.33	3.40

Note 1) Pressure gauge connection threads are not available for F.R.L. unit with a square embedded type pressure gauge or with a digital pressure switch (AC20A to AC60A).

Note 2) -5 to 50°C for the products with the digital pressure switch

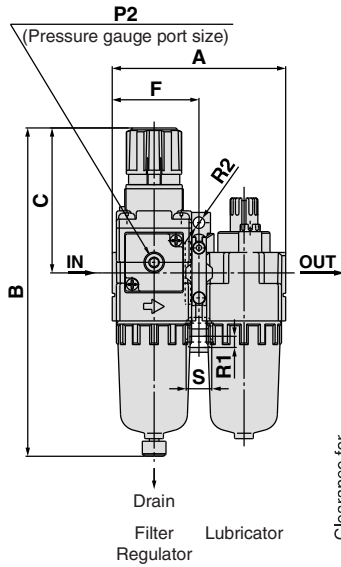
Note 3) Not applicable to the AC10A.

AC
AF□
AR
AL
AW□
A□G
AV
AF800
AF900

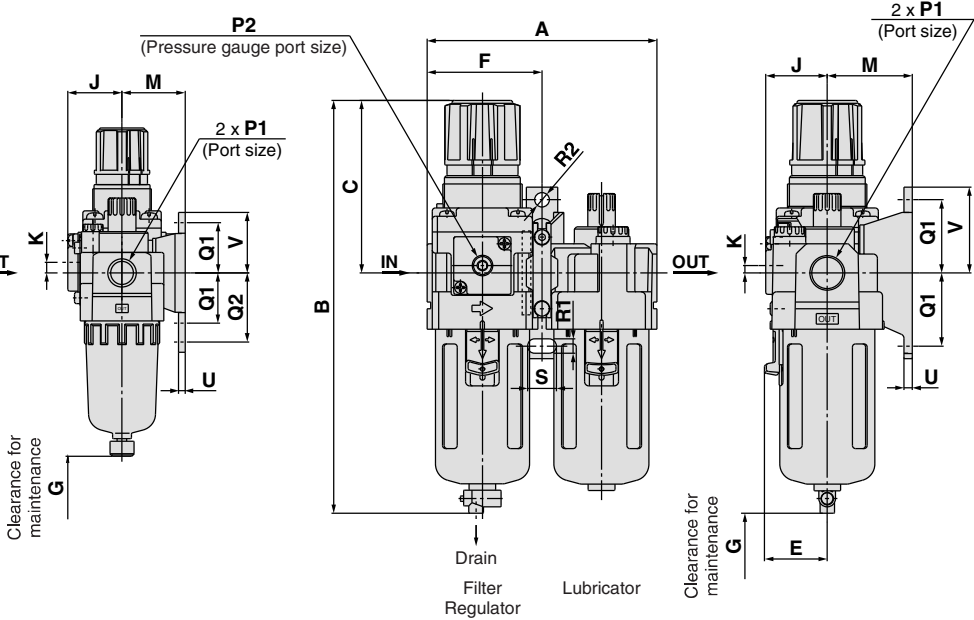
Series AC10A to AC60A

Dimensions

AC10A, AC20A



AC30A to AC60A



Applicable model	AC20A to AC60A		AC10A to AC60A	AC20A to AC60A
Option	Square embedded type pressure gauge	Digital pressure switch	Round type pressure gauge	Round type pressure gauge (with color zone)
Dimensions				

Applicable model	AC10A, AC20A		AC20A	AC30A to AC60A				
Optional/Semi-standard specifications	With auto drain (N.C.)	Metal bowl	With drain guide	With auto drain (N.O./N.C.)	Metal bowl	Metal bowl with level gauge	With drain guide	Drain cock with barb fitting
Dimensions								

Model	Standard specifications										Optional specifications							
	P1	P2	A	B (Note)	C	E	F	G	J	K	Square type pressure gauge	Digital pressure switch	Round type pressure gauge	Round type pressure gauge (with color zone)	H	J	H	J
AC10A	M5 x 0.8	1/16	56	108	48	—	28	35	13	0	—	—	—	—	ø26	26	—	—
AC20A	1/8, 1/4	1/8	83	160	73	—	41.5	60	26	5	□28	27	□27.8	37.5	ø37.5	63	ø37.5	63
AC30A	1/4, 3/8	1/8	110	201	86	30	55	80	29.5	3.5	□28	30.5	□27.8	41	ø37.5	66	ø37.5	66
AC40A	1/4, 3/8, 1/2	1/4	145	239	92	38	72.5	110	37.5	1.5	□28	38.5	□27.8	49	ø42.5	76	ø42.5	76
AC40A-06	3/4	1/4	155	242	93	38	77.5	110	37.5	1.2	□28	38.5	□27.8	49	ø42.5	76	ø42.5	76
AC50A	3/4, 1	1/4	191	409	175	—	98	110	43.5	3.2	□28	44.5	□27.8	61.5	ø42.5	84	ø42.5	84
AC60A	1	1/4	196	409	175	—	98	110	43.5	3.2	□28	44.5	□27.8	61.5	ø42.5	84	ø42.5	84

Model	Optional specifications									Semi-standard specifications				
	Bracket mount									With auto drain	With barb fitting	With drain guide	Metal bowl	Metal bowl with level gauge
	M	Q1	Q2	R1	R2	S	U	V		B	B	B	B	B
AC10A	25	20	27	4.5	ø4.5	7	2.8	24.5		125	—	—	107	—
AC20A	30	24	33	5.5	ø5.5	12	3.2	29		177	—	164	160	—
AC30A	41	35	—	7	ø7	14	4	41		242	209	208	214	234
AC40A	50	40	—	9	ø9	18	4	48		278	247	246	252	272
AC40A-06	50	40	—	9	ø9	18	4.6	48		282	251	249	255	275
AC50A	70	50	—	11	ø11	20	6.4	60		448	417	416	422	442
AC60A	70	50	—	11	ø11	20	6.4	60		448	417	416	422	442

Note) The total length of B dimension is the length when the filter regulator knob is unlocked.