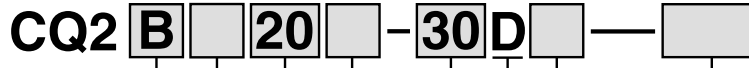


Compact Cylinder: Standard Double Acting, Single Rod Series CQ2

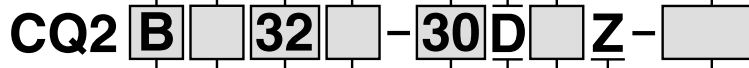
ø12, ø16, ø20, ø25, ø32, ø40, ø50, ø63, ø80, ø100

How to Order

Without auto switch ø12 to ø25



Without auto switch ø32 to ø100



With auto switch



With auto switch (Built-in magnet)

Mounting

B	Through-hole (Standard)	F	Rod flange
A	Both ends tapped	G	Head flange
L	Foot	D	Double clevis

* Mounting brackets are shipped together, (but not assembled).
* Cylinder mounting bolts are not included. Order them separately referring to "Mounting Bolt for C(D)Q2B" on pages 5 and 10.

Type

Nil	Pneumatic
H	Air-hydro (Note 1)

Note 1) Bore sizes available for air-hydro type are ø20 to ø100.

Bore size

12	12 mm
16	16 mm
20	20 mm
25	25 mm
32	32 mm
40	40 mm
50	50 mm
63	63 mm
80	80 mm
100	100 mm

Port thread type

Nil	M thread	ø12 to ø25
	Rc	
TN	NPT	ø32 to ø100
TF	G	
F	Built-in one-touch fittings (Note 2)	

Note 2) Bore sizes available with one-touch fittings are ø32 to ø63. Besides, it is not possible to use for air-hydro type.

Note 3) "TF" is not available for air-hydro type.

* For cylinders without auto switch, M threads are compatible only for ø32-5 mm stroke.

Auto switch

Nil	Without auto switch
-----	---------------------

* Refer to the below table for applicable auto switches.

Auto switch mounting groove

Z	ø12 to ø25	2 surfaces
	ø32 to ø100	4 surfaces

Note 5) The made-to-order, heat resistant auto switch -XB14 is not applicable.

Number of auto switches

Nil	2 pcs.
S	1 pc.
n	"n" pcs.

Made to Order

Refer to the next page for details.

Body option

Nil	Standard (Rod end female thread)
F	With boss on head end
C	With rubber bumper (Note 4)
M	Rod end male thread

* Combination of body options ("CM", "FC", "FM", "FCM") is available.

Note 4) Air-hydro type with rubber bumper is not available.

Action

D	Double acting
----------	---------------

Cylinder stroke (mm)

Refer to the next page and page 3 for standard strokes and intermediate strokes.

Built-in Magnet Cylinder Model

If a built-in magnet cylinder without an auto switch is required, there is no need to enter the symbol for the auto switch. (Example) CDQ2L32-25DZ

Refer to pages 1263 to 1371 in Best Pneumatics No. 2 for further information on auto switches.

Applicable Auto Switches

Refer to the individual catalog (ES20-201) for the D-P3DW type.

Type	Special function	Electrical entry	Indicator light	Wiring (Output)	Load voltage		Auto switch model		Lead wire length (m)					Pre-wired connector	Applicable load						
					DC	AC	Perpendicular	In-line	0.5	1	3	5	None		IC circuit	Relay, PLC					
Solid state auto switch	—	Grommet	Yes	3-wire (NPN)	24 V	5 V, 12 V	—	M9NV	M9N	●	●	○	○	○			○	—	—		
										3-wire (PNP)	12 V	M9PV	M9P	●	●	○				○	○
														2-wire	5 V, 12 V	M9NVW				M9NW	
										3-wire (NPN)	12 V	M9PWV	M9PW								●
	3-wire (PNP)			12 V	M9BWW	M9BW	●	●	○					○	○						
							2-wire	5 V, 12 V	M9NAV**	M9NA**	○	○	●	○		○					
	3-wire (NPN)			12 V	M9PAV**	M9PA**					○	○	●	○	○						
							3-wire (PNP)	12 V	M9BAV**	M9BA**	○	○	●	○		○					
	2-wire			—	—	P3DW					●	○	●	○	○						
							Reed auto switch	Magnetic field resistant (2-color indication)	Grommet	Yes	2-wire (Non-polar)	24 V	5 V	—		A96V	A96	●	—	●	—
3-wire (NPN equivalent)	12 V	A93V	A93	●	—	●									—						
				2-wire	5 V, 12 V	A90V									A90			●	—	●	—

* Water resistant type auto switches can be mounted on the above models, but in such case SMC cannot guarantee water resistance. If water resistance is needed, we recommend water resistant cylinders be used. (Page 156)

* Lead wire length symbols: 0.5 m Nil (Example) M9NV
1 m M (Example) M9NVW
3 m L (Example) M9NWL
5 m Z (Example) M9NWX

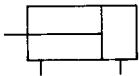
* There are other applicable auto switches other than the listed above. For details, refer to page 175.

* For details about auto switches with pre-wired connector, refer to pages 1328 and 1329 in Best Pneumatics No. 2.



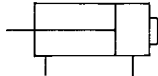
JIS Symbol

Double acting,
Single rod



Symbol

With boss on
head end



Made to Order

(For details, refer to pages 177 to 207.)

Symbol	Specifications
-XA□	Special rod end shape
-XB6	Heat resistant cylinder (-10 to 150°C) w/o auto switch only
-XB7	Cold resistant cylinder (-40 to 70°C) w/o auto switch only
-XB9	Low-speed cylinder (10 to 50 mm/s)
-XB10	Intermediate stroke (Exclusive body type)
-XB10A	Intermediate stroke (Spacer-installed type)
-XB11	Long stroke (Air-hydro type only)
-XB13	Low-speed cylinder (5 to 50 mm/s)
-XB14	Cylinder with heat resistant auto switch ø16 to ø63 only
-XC4	With heavy-duty scraper, ø20 to ø100 only
-XC6	Piston rod/Retaining ring/Rod end nut material: Stainless steel
-XC8	Adjustable stroke cylinder/Adjustable extension type
-XC9	Adjustable stroke cylinder/Adjustable retraction type
-XC10	Dual stroke cylinder/Double rod
-XC11	Dual stroke cylinder/Single rod
-XC26	With split pins for double clevis pin/ double knuckle joint pin and flat washers
-XC27	Double clevis pin/Double knuckle joint pin material: Stainless steel 304
-XC35	With coil scraper, ø32 to ø100 only
-XC36	With boss on rod end
-X144	Special port location, with auto switch ø12 to ø25 only
-X202	Full length dimension is the same as Series CQ1, Except ø16, ø25.
-X203	L dimension from rod cover is the same as Series CQ1, ø20, ø32 only.
-X271	Fluororubber seals
-X525	Long stroke of adjustable extension stroke cylinder (-XC8)
-X526	Long stroke of adjustable retraction stroke cylinder (-XC9)
-X636	Long stroke of dual stroke single rod cylinder
-X1876	Cylinder tube: With concave boss on head end

Note) -XB14: The body shape is the same as the existing product.

Refer to pages 169 to 175 for the specifications of cylinders with auto switches.

- Auto switch proper mounting position (detection at stroke end) and its mounting height
- Minimum stroke for auto switch mounting
- Operating range
- Auto switch mounting brackets/Part no.

Specifications

Pneumatic type

Bore size (mm)	12	16	20	25	32	40	50	63	80	100	
Action	Double acting, Single rod										
Fluid	Air										
Proof pressure	1.5 MPa										
Maximum operating pressure	1.0 MPa										
Minimum operating pressure	0.07 MPa		0.05 MPa								
Ambient and fluid temperature	Without auto switch: -10 to 70°C (No freezing) With auto switch: -10 to 60°C (No freezing)										
Lubrication	Not required (Non-lube)										
Piston speed	50 to 500 mm/s										
Allowable kinetic energy (J)	Standard	0.022	0.038	0.055	0.09	0.15	0.26	0.46	0.77	1.36	2.27
	With rubber bumper	0.043	0.075	0.11	0.18	0.29	0.52	0.91	1.54	2.71	4.54
Stroke length tolerance	+1.0 mm (Note) 0										

Note) Stroke length tolerance does not include the amount of bumper change.

Air-hydro type

Bore size (mm)	20	25	32	40	50	63	80	100
Action	Double acting, Single rod							
Fluid	Turbine oil (Note)							
Proof pressure	1.5 MPa							
Maximum operating pressure	1.0 MPa							
Minimum operating pressure	0.18 MPa				0.1 MPa			
Ambient and fluid temperature	5 to 60°C							
Piston speed	5 to 50 mm/s							
Cushion	None							
Stroke length tolerance	+1.0 mm 0							

Note) Refer to "Handling Precautions for SMC Products" (M-E03-3) for Actuator Precautions (5).

Standard Strokes

Pneumatic type

Bore size	Standard stroke
12, 16	5, 10, 15, 20, 25, 30
20, 25	5, 10, 15, 20, 25, 30, 35, 40, 45, 50
32, 40	5, 10, 15, 20, 25, 30, 35, 40, 45, 50, 75, 100
50 to 100	10, 15, 20, 25, 30, 35, 40, 45, 50, 75, 100

- For long strokes exceeding the standard stroke range, refer to page 69.
- For intermediate strokes, refer to page 3.

Air-hydro type

Bore size	Standard stroke
20, 25	5, 10, 15, 20, 25, 30, 35, 40, 45, 50
32, 40	5, 10, 15, 20, 25, 30, 35, 40, 45, 50, 75, 100
50, 63, 80, 100	10, 15, 20, 25, 30, 35, 40, 45, 50, 75, 100

Mounting Brackets/Part No.

Bore size (mm)	Model	Foot (Note 1)	Flange	Double clevis	
12	Without switch	CQ2□□-□D	CQ-L012	CQ-F012	CQ-D012
	With switch	CQ2□□-□DZ	CQ-LZ12		
16	Without switch	CQ2□□-□D	CQ-L016	CQ-F016	CQ-D016
	With switch	CQ2□□-□DZ	CQ-LZ16		
20	Without switch	CQ2□□-□D	CQ-L020	CQ-F020	CQ-D020
	With switch	CQ2□□-□DZ	CQ-LZ20		
25	Without switch	CQ2□□-□D	CQ-L025	CQ-F025	CQ-D025
	With switch	CQ2□□-□DZ	CQ-LZ25		
32	CQ2□□-□DZ	CQ-L032	CQ-F032	CQ-D032	
40	CQ2□□-□DZ	CQ-L040	CQ-F040	CQ-D040	
50	CQ2□□-□DZ	CQ-L050	CQ-F050	CQ-D050	
63	CQ2□□-□DZ	CQ-L063	CQ-F063	CQ-D063	
80	CQ2□□-□DZ	CQ-L080	CQ-F080	CQ-D080	
100	CQ2□□-□DZ	CQ-L100	CQ-F100	CQ-D100	

Note 1) When ordering a foot bracket, the required quantity will be different depending on the bore size.

- ø12 to ø25:
 - Without switch: Order 2 pieces per cylinder.
 - With switch: Order 1 piece per cylinder. (Part number for a set of 2 foot brackets)
- ø32 to ø100:
 - Order 2 pieces per cylinder.

Note 2) Parts belonging to each bracket are as follows.

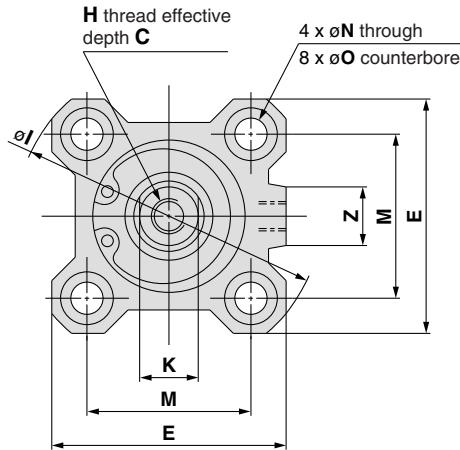
- Foot or Flange: Body mounting bolts
- Double clevis: Clevis pin, Type C retaining rings for axis, Body mounting bolts

Series CQ2

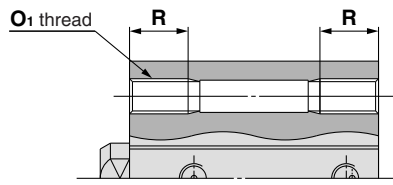
Dimensions

Ø12 to Ø25/Without Auto Switch

Standard (Through-hole): CQ2B

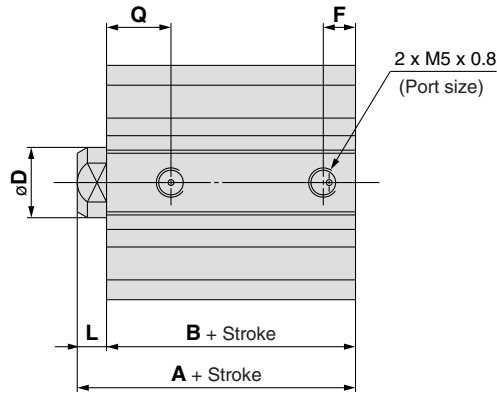


Both ends tapped: CQ2A

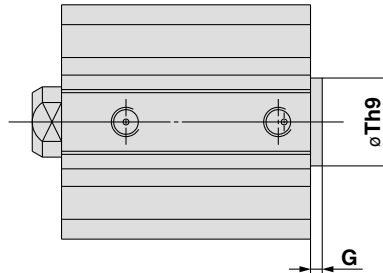


Both Ends Tapped (mm)

Bore size (mm)	O ₁	R
12	M4 x 0.7	7
16	M4 x 0.7	7
20	M6 x 1.0	10
25	M6 x 1.0	10



With boss on head end

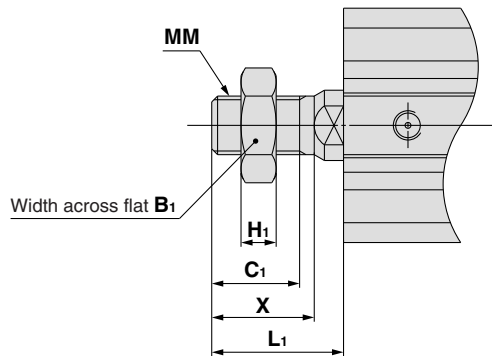


With Boss on Head End (mm)

Bore size (mm)	G	Th9
12	1.5	15 ⁰ _{-0.043}
16	1.5	20 ⁰ _{-0.052}
20	2	13 ⁰ _{-0.043}
25	2	15 ⁰ _{-0.043}

Note 1) With boss on rod end: Option (Suffix "-XC36" to the end of model number.)

Rod end male thread



Rod End Male Thread (mm)

Bore size (mm)	B ₁	C ₁	H ₁	L ₁	MM	X
12	8	9	4	14	M5 x 0.8	10.5
16	10	10	5	15.5	M6 x 1.0	12
20	13	12	5	18.5	M8 x 1.25	14
25	17	15	6	22.5	M10 x 1.25	17.5

Standard

Bore size (mm)	Stroke range (mm)	A	B	C	D	E	F	H	I	K	L	M	N	O	Q	Z
12	5 to 30	20.5	17	6	6	25	5	M3 x 0.5	32	5	3.5	15.5	3.5	6.5 depth 3.5	7.5	-
16	5 to 30	22	18.5	8	8	29	5.5	M4 x 0.7	38	6	3.5	20	3.5	6.5 depth 3.5	8	10
20	5 to 50	24	19.5	7	10	36	5.5	M5 x 0.8	47	8	4.5	25.5	5.5	9 depth 7	9	10
25	5 to 50	27.5	22.5	12	12	40	5.5	M6 x 1.0	52	10	5	28	5.5	9 depth 7	11	10

Note 2) The external dimensions with rubber bumper are same as those of the standard, as shown above.

* For details about the rod end nut and accessory brackets, refer to page 19.

Note 3) For calculation on the longitudinal dimension of intermediate strokes, refer to page 3.