

Silencer Metal Body Type Series AN□00



Noise reduction 30 dB(A)
Low back pressure
Easy mounting



How to Order

AN 500 - □ 06

Body size

Symbol
500
600
700
800
900

Thread type

Symbol	Type
Nil	R
N	NPT

Port size

Symbol	Port size	Applicable model
06	3/4	AN500
10	1	AN600
12	1 1/4	AN700
14	1 1/2	AN800
20	2	AN900

Specifications

Fluid	Compressed air
Max. operating pressure ^{Note 1)}	145psi (1.0 MPa)
Noise reduction	30 dB(A) ^{Note 2)}
Ambient and fluid temperature	41 to 140°F (5 to 60°C) ^{Note 3)}

Note 1) It indicates the inlet pressure for solenoid valve.

Note 2) The value may vary, depending on the pneumatic circuit or pressure that is exhausted from the solenoid valve.

Note 3) The product can be used in temperatures 14 to 140°F (-10 to 60°C) if there is no risk of water droplets forming and freezing.

Refer to page 5 for Precautions on these products.

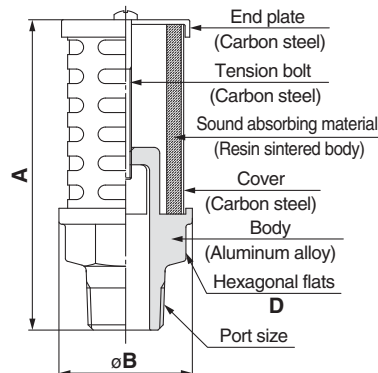
Performance

Model	Effective area mm ²	Sonic conductance C [dm ³ /(s·bar)]	Recommended flow m ³ /min(ANR)	Weight g
AN500-06	160	32	12 or less	165
AN600-10	270	54	20 or less	220
AN700-12	440	88	30 or less	435
AN800-14	590	118	50 or less	510
AN900-20	960	192	80 or less	740

Note) Recommended flow rate is the flow at 72.5psi (0.5 MPa) in the inlet pressure.

Construction/Parts/Dimensions

AN500 to 900



Dimensions

Model	Port size R, NPT	A	B	D
AN500-06	3/4	107	46	36
AN600-10	1	127	50	41
AN700-12	1 1/4	186	74	50
AN800-14	1 1/2	217	74	55
AN900-20	2	256	86	65