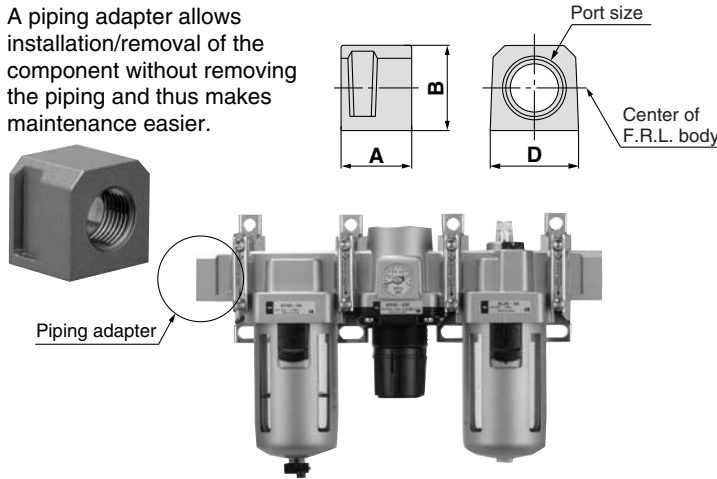


Piping Adapter: M5 x 0.8, 1/8, 1/4, 3/8, 1/2, 3/4, 1

A piping adapter allows installation/removal of the component without removing the piping and thus makes maintenance easier.



Model (Note 1)	Port size	A	B	D	Applicable model
E100-M5	M5 x 0.8	10	14	14	AC10□, AW10, AF10, AR10, AL10
E200-□01	1/8	30	23.5	28	AC20□
E200-□02	1/4				AF20, AR20□, AW20□
E200-□03	3/8				AL20, AFM20, AFD20, AWM20, AWD20
E300-□02	1/4	32	30	30	AC25□, AC30□
E300-□03	3/8				AF30, AR30□, AW30□
E300-□04	1/2				AL30, AFM30, AFD30, AWM30, AWD30
E400-□02	1/4	32	36	36	AC40□
E400-□03	3/8				AF40, AR40□, AW40□
E400-□04	1/2				AL40, AFM40, AFD40
E400-□06	3/4				AWM40, AWD40
E500-□06	3/4	32	40	44	AC40□-06, AF40-06, AR40□-06, AW40□-06, AL40-06, AFM40-06, AFD40-06
E600-□06	3/4	35	48	53	AC50, AC55, AC60, AC50A
E600-□10	1				AC60A, AC50B, AC55B
					AC60B, AF50, AF60, AR50□
					AR60□, AL50, AL60, AW60□

Note 1) □ in model numbers indicates a thread type. No indication is necessary for Rc; however, indicate N for NPT, and F for G.

Note 2) Separate interfaces are required for modular unit.

* Factory mounting of a piping adapter on the AC models is available as a special order.

Pressure Switch with Piping Adapter

IS1000E - 30 - 03 -

	Symbol	Description	① Body size		
			20	30	40
② Thread type	Nil	Rc	●	●	●
	N (Note)	NPT	●	●	●
	F (Note)	G	●	●	●
③ Port size	+				
	01	1/8	●	—	—
	02	1/4	●	●	—
	03	3/8	●	●	●
	04	1/2	—	●	●
④ Accessory	+				
	Symbol	Lead wire length	Regulating pressure range	Pressure display	Mounting position
	Nil	0.5 m	0.1 to 0.4 MPa	MPa	Right
	X250	0.5 m	0.1 to 0.4 MPa	MPa	Left
	P (Note)	0.5 m	0.1 to 0.4 MPa	MPa/psi dual scale	Right
	X250-P (Note)	0.5 m	0.1 to 0.4 MPa	MPa/psi dual scale	Left
	X202	0.5 m	0.1 to 0.6 MPa	MPa	Right
	X252	0.5 m	0.1 to 0.6 MPa	MPa	Left
	X202-P (Note)	0.5 m	0.1 to 0.6 MPa	MPa/psi dual scale	Right
	X252-P (Note)	0.5 m	0.1 to 0.6 MPa	MPa/psi dual scale	Left
	X201	3 m	0.1 to 0.4 MPa	MPa	Right
	X251	3 m	0.1 to 0.4 MPa	MPa	Left
	X201-P (Note)	3 m	0.1 to 0.4 MPa	MPa/psi dual scale	Right
	X251-P (Note)	3 m	0.1 to 0.4 MPa	MPa/psi dual scale	Left
	X215	3 m	0.1 to 0.6 MPa	MPa	Right
	X253	3 m	0.1 to 0.6 MPa	MPa	Left
	X215-P (Note)	3 m	0.1 to 0.6 MPa	MPa/psi dual scale	Right
X253-P (Note)	3 m	0.1 to 0.6 MPa	MPa/psi dual scale	Left	

Note) For thread type: NPT only. This product is for overseas use only according to the new Measurement Law. (The SI unit type is provided for use in Japan.)

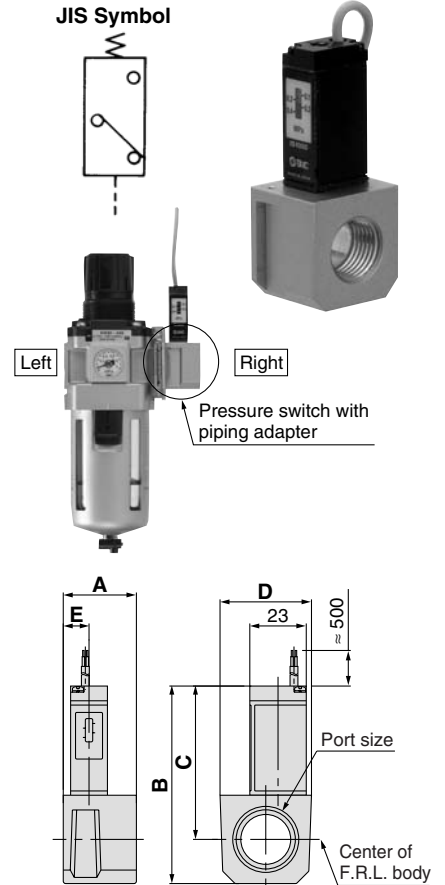
Specifications

Fluid	Air
Ambient and fluid temperature	-5 to 60°C (with no freezing)
Proof pressure	1.0 MPa
Maximum operating pressure	0.7 MPa
Set pressure range (when OFF)	0.1 to 0.4 MPa
Hysteresis	0.08 MPa or less

Switch Characteristics

Contact point configuration	1a
Maximum contact point capacity	2VA(AC), 2W(DC)
Operating voltage: AC, DC	100V or less
Maximum operating current	12V to 24V AC, DC: 50 mA 48V AC, DC: 40 mA 100V AC, DC: 20 mA

JIS Symbol



Model (Note 1)	Port size	A	B	C	D	E	Applicable model
IS1000E-20□01	1/8	30	68	57	28	16	AC20□
IS1000E-20□02	1/4						AR20□, AW20□
IS1000E-20□03	3/8						AWM20, AWD20
IS1000E-30□02	1/4	32	74.5	60.5	30	13	AC25□, AC30□
IS1000E-30□03	3/8						AR25□, AR30□, AW30□
IS1000E-30□04	1/2						AWM30, AWD30
IS1000E-40□02	1/4	32	80.5	62.5	37	12.5	Note 2)
IS1000E-40□03	3/8						AC40□
IS1000E-40□04	1/2						AR40□, AW40□
IS1000E-40□06	3/4						AWM40, AWD40

Note 1) □ in the model numbers indicates a thread type. No indication is necessary for Rc; however, indicate N for NPT, and F for G.

Note 2) Cannot be mounted on the AC40□-06 and AW40□-06.

Note 3) Separate interfaces are required for modular unit.

* The pressure switch on the AC40□-06 and above and the AW40□-06 can be mounted by screwing IS1000-01 into the piping adapter E500-□06-X501 or E600-□06-X501 to E600-□10-X501 (with top-face thread Rc 1/8). Products with a premounted switch are available as a special order. Please contact SMC regarding their availability.