

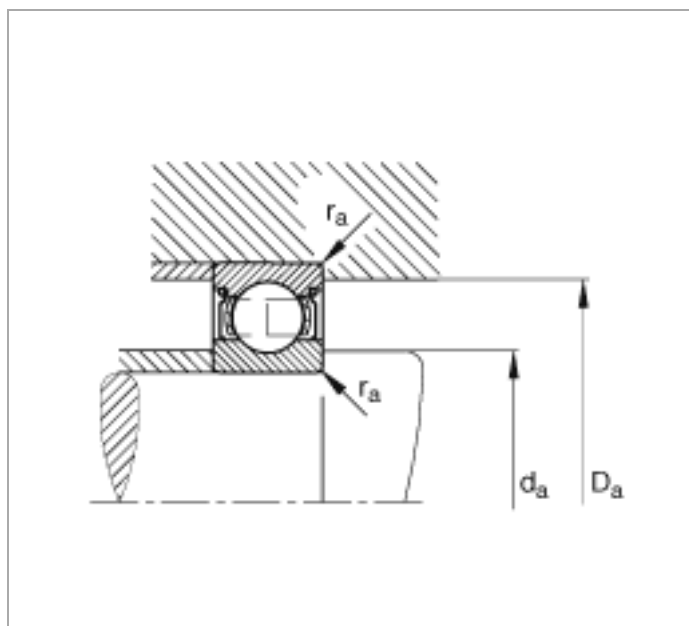
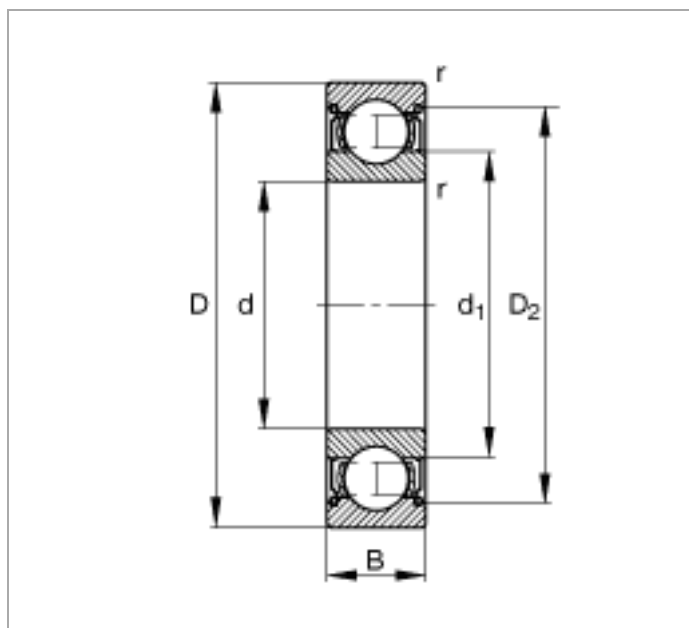


# Deep groove ball bearings 6200-2Z (Series 62..-2Z)

main dimensions to DIN 625-1, gap seals on both sides

The datasheet is only an overview of dimensions and basic load ratings of the selected product. Please always observe all the guidelines in these overview pages. Further information is given on many products under the menu item "Description". You can also order comprehensive information via the Catalogue selection system (<http://www.fag.de/content.fag.de/en/mediathek/library/library.jsp>) or by telephone on +49 (91 32) 82 - 28 97.

d	10 mm
D	30 mm
B	9 mm
d <sub>1</sub>	16,7 mm
D <sub>2</sub>	25 mm
D <sub>a</sub> max	25,8 mm
d <sub>a</sub> min	14,2 mm
r <sub>a</sub> max	0,6 mm
r <sub>min</sub>	0,6 mm
m	0,032 kg Mass
C <sub>r</sub>	6300 N Basic dynamic load rating, radial
C <sub>0r</sub>	2600 N Basic static load rating, radial
n <sub>G</sub>	31500 1/min Limiting speed
n <sub>B</sub>	23400 1/min Reference speed
C <sub>ur</sub>	133 N Fatigue limit load, radial



**FAG**



**SCHAEFFLER**

