



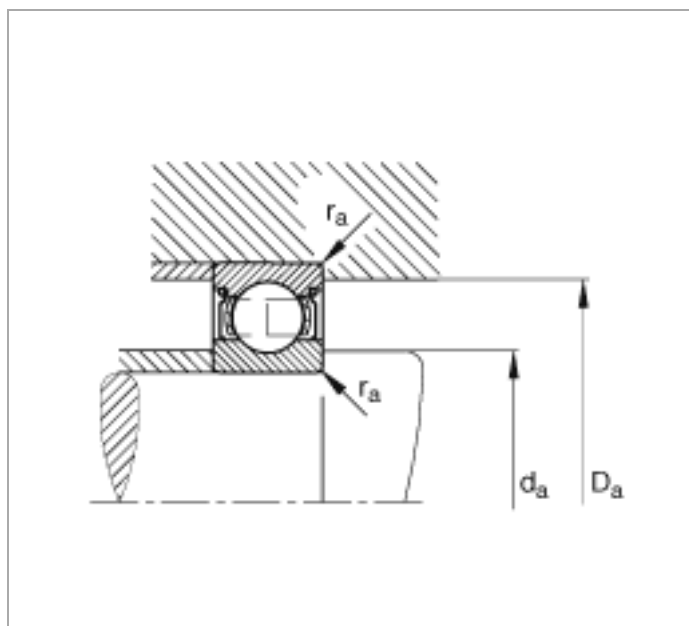
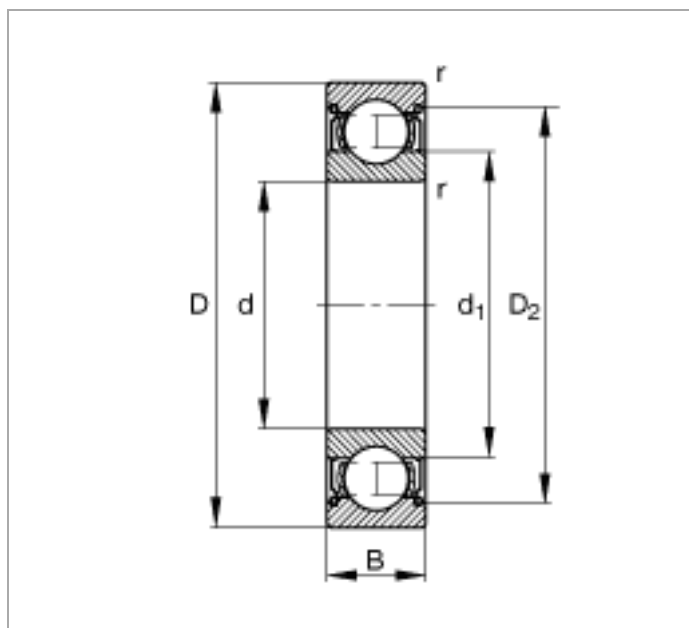
Deep groove ball bearings 6007-2Z

(Series 60..-2Z)

main dimensions to DIN 625-1, gap seals on both sides

The datasheet is only an overview of dimensions and basic load ratings of the selected product. Please always observe all the guidelines in these overview pages. Further information is given on many products under the menu item "Description". You can also order comprehensive information via the Catalogue selection system (<http://www.fag.de/content.fag.de/en/mediathek/library/library.jsp>) or by telephone on +49 (91 32) 82 - 28 97.

d	35 mm
D	62 mm
B	14 mm
d ₁	43,2 mm
D ₂	55,4 mm
D _a max	57,4 mm
d _a min	39,6 mm
r _a max	1 mm
r _{min}	1 mm
m	0,163 kg Mass
C _r	17000 N Basic dynamic load rating, radial
C _{0r}	10300 N Basic static load rating, radial
n _G	13700 1/min Limiting speed
n _B	11600 1/min Reference speed
C _{ur}	520 N Fatigue limit load, radial





Deep groove ball bearings 16014

(Series 160)

main dimensions to DIN 625-1

The datasheet is only an overview of dimensions and basic load ratings of the selected product. Please always observe all the guidelines in these overview pages. Further information is given on many products under the menu item "Description". You can also order comprehensive information via the Catalogue selection system (<http://www.fag.de/content.fag.de/en/mediathek/library/library.jsp>) or by telephone on +49 (91 32) 82 - 28 97.

d	70 mm
D	110 mm
B	13 mm
D ₁	96,2 mm
d ₁	83,7 mm
D _a max	106,8 mm
d _a min	73,2 mm
r _a max	0,6 mm
r _{min}	0,6 mm
m	0,438 kg Mass
C _r	29500 N Basic dynamic load rating, radial
C _{0r}	25000 N Basic static load rating, radial
f ₀	16,2
n _G	8900 1/min Limiting speed
n _B	5300 1/min Reference speed
C _{ur}	1230 N Fatigue limit load, radial

