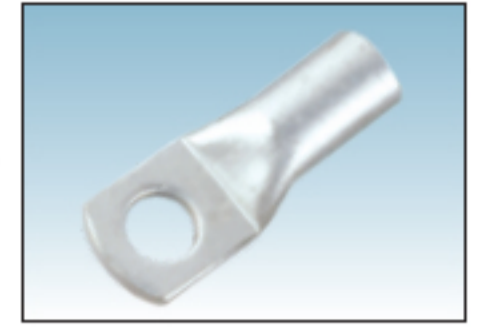
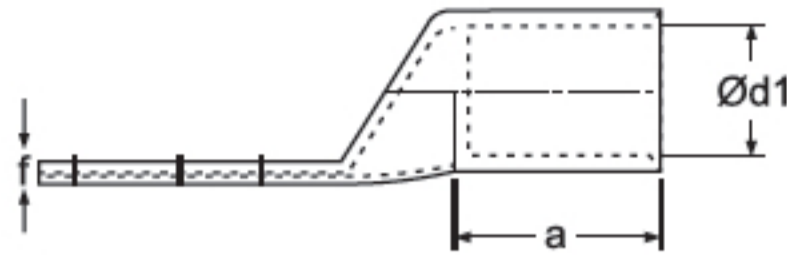
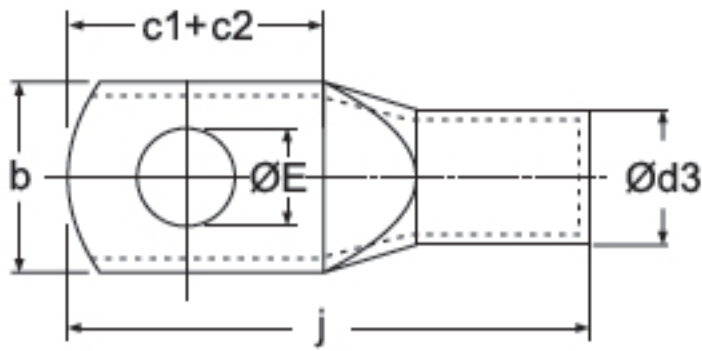


COMET ALUMINIUM TUBULAR TERMINALS



Size mm ²	ØE	a	b	c1+c2	Ød1	Ød3	f	j	COMET CAT NO.
2.5-3	M3	7	7.0	8	2.0	5.5	3.5	18	CALS-151
2.5-3.5	M3.5	7	7.0	8	2.6	5.5	2.9	18	CALS-309
4-4	M4	7	7.0	8	2.9	5.5	2.6	18	CALS-155
4-5	M5	7	12.0	13	2.9	5.5	1.2	24	CALS-317
6-5	M5	7	8.0	13	3.5	5.5	2.0	24	CALS-158
6-6	M6	7	12.0	13	3.5	5.5	1.1	24	CALS-313
10-6	M6	9	10.0	17	4.4	7.4	2.8	30	CALS-214
10-8	M8	9	15.0	17	4.4	7.4	1.8	30	CALS-215
16-6	M6	13	11.0	20	5.4	8.3	2.9	37	CALS-252
16-8	M8	13	11.0	20	5.4	8.3	2.9	37	CALS-216
16-10	M10	13	18.0	20	5.4	8.3	1.8	37	CALS-217
25-8	M8	16	14.0	21	7.0	10.0	3.0	44	CALS-218
25-10	M10	16	20.0	21	7.0	10.0	1.7	44	CALS-219
25-12	M12	16	20.0	21	7.0	10.0	1.7	44	CALS-220
35-8	M8	18	15.0	22	8.0	10.8	2.8	47	CALS-221
35-10	M10	18	20.0	22	8.0	10.8	2.1	47	CALS-222
50-8	M8	22	18.0	24	9.3	13.0	3.7	54	CALS-255
50-10	M10	22	23.0	24	9.3	13.0	2.8	54	CALS-312
50-12	M12	22	23.0	24	9.3	13.0	2.8	54	CALS-224
70-8	M8	26	22.0	26	11.6	16.0	4.4	60	CALS-256
70-10	M10	26	22.0	26	11.6	16.0	4.4	60	CALS-225
70-12	M12	26	22.0	26	11.6	16.0	4.4	60	CALS-226
95-10	M10	28	25.0	28	12.9	17.1	4.2	64	CALS-227
95-12	M12	28	25.0	28	12.9	17.1	4.2	64	CALS-228
95-16	M16	28	25.0	28	12.9	17.1	4.2	64	CALS-229
120-10	M10	32	28.0	30	14.8	19.6	4.8	73	CALS-257
120-12	M12	32	28.0	30	14.8	19.6	4.8	73	CALS-230
120-16	M16	32	28.0	30	14.8	19.6	4.8	73	CALS-231
150-10	M10	34	31.0	34	16.1	21.2	5.1	79	CALS-258
150-12	M12	34	31.0	34	16.1	21.2	5.1	79	CALS-232
150-16	M16	34	31.0	34	16.1	21.2	5.1	79	CALS-233
185-10	M10	36	34.0	36	18.0	23.7	5.7	84	CALS-311
185-12	M12	36	34.0	36	18.0	23.7	5.7	84	CALS-234
185-16	M16	36	34.0	36	18.0	23.7	5.7	84	CALS-235
225-12	M12	40	39.0	40	20.6	27.0	6.4	94	CALS-320
240-12	M12	44	40.0	44	22.0	28.0	6.0	102	CALS-236
240-16	M16	44	40.0	44	22.0	28.0	6.0	102	CALS-237
300-16	M16	47	45.7	54	24.0	31.0	7.0	115	CALS-300
300-20	M20	47	45.7	54	24.0	31.0	7.0	115	CALS-259
400-20	M20	56	51.0	61	28.0	36.0	8.0	130	CALS-260
500-20	M20	60	58.0	65	30.0	41.0	11.0	140	CALS-296
630-20	M20	69	66.0	69	35.0	46.0	11.0	154	CALS-261
800	-	77	73.0	78	39.0	51.0	12.0	180	CALS-318
1000	-	100	81.0	90	43.5	57.0	13.5	220	CALS-319

MATERIAL : ALUMINIUM IS - 5082
CONFORMS : IS - 8309

FINISH : NATURAL