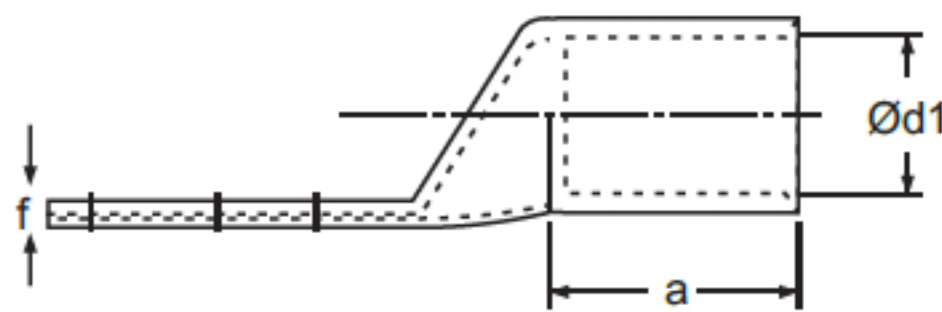
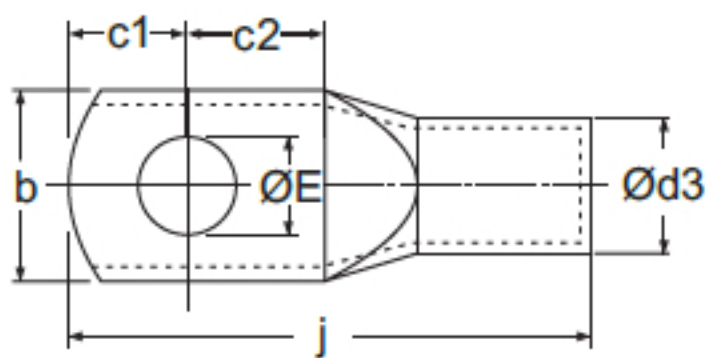


COMET COPPER TUBULAR TERMINALS HEAVY DUTY (EXPORT SERIES WITH INSPECTION HOLE)



Size mm2	ØE	a	b	c1	c2	Ød1	Ød3	f	j	COMET CAT NO.
1.5-5	M5	5	8.0	4	5	1.8	3.7	1.0	16	CCUS-538
1.5-6	M6	5	10.0	5	6	1.8	3.7	0.8	18	CCUS-539
2.5-4	M4	7	8.0	4	5	2.4	4.0	1.0	18	CCUS-388
2.5-5	M5	7	10.0	5	6	2.4	4.0	0.8	20	CCUS-540
2.5-6	M6	7	10.0	5	6	2.4	4.0	0.8	20	CCUS-541
4.0-5	M5	7	10.0	5	6	3.1	4.8	1.0	20	CCUS-389
4.0-6	M6	7	10.0	5	6	3.1	4.8	1.0	20	CCUS-543
6.0-5	M5	9	10.0	5	6	3.8	5.5	1.2	23	CCUS-390
6.0-6	M6	9	12.0	6	9	3.8	5.5	1.0	27	CCUS-544
6.0-8	M8	9	12.0	6	9	3.8	5.5	1.0	27	CCUS-545
10-6	M6	9	12.0	6	7	4.5	6.2	1.2	25	CCUS-353
10-8	M8	9	12.0	6	9	4.5	6.2	1.2	27	CCUS-547
16-6	M6	12	12.0	7	7	5.4	7.1	1.4	31	CCUS-354
16-8	M8	12	12.0	7	9	5.4	7.1	1.4	31	CCUS-549
20-8	M8	12	12.0	7	9	6.0	7.7	1.7	32	CCUS-550
25-6	M6	12	13.0	7	7	6.8	8.8	2.0	33	CCUS-355
25-8	M8	12	13.0	10	11	6.8	8.8	1.4	33	CCUS-551
25-10	M10	12	15.0	10	11	6.8	8.8	1.4	37	CCUS-552
35-6	M6	12	15.0	9	9	8.2	10.6	2.4	35	CCUS-542
35-8	M8	12	15.0	9	9	8.2	10.6	2.4	35	CCUS-356
35-10	M10	12	16.0	10	11	8.2	10.6	2.0	38	CCUS-554
50-8	M8	16	18.0	10	11	9.5	12.4	2.9	43	CCUS-357
50-10	M10	16	18.0	10	11	9.5	12.4	2.9	43	CCUS-556
70-8	M8	18	21.0	12	13	11.2	14.7	3.5	50	CCUS-557
70-10	M10	18	21.0	12	13	11.2	14.7	3.5	50	CCUS-358
70-13	M13	18	21.0	12	13	11.2	14.7	3.5	50	CCUS-559
95-10	M10	20	25.0	13	13	13.5	17.4	3.9	55	CCUS-359
95-13	M13	20	25.0	13	13	13.5	17.4	3.9	55	CCUS-561
120-12	M12	22	28.0	14	14	15.0	19.4	4.4	60	CCUS-241
120-17	M17	22	28.0	16	16	15.0	19.4	4.4	64	CCUS-546
150-12	M12	26	30.0	16	16	16.5	21.2	4.7	69	CCUS-242
150-17	M17	26	30.0	16	16	16.5	21.2	4.7	69	CCUS-564
185-16	M16	32	34.0	17	17	18.5	23.5	5.0	78	CCUS-243
240-16	M16	38	38.0	20	20	21.0	26.5	5.5	92	CCUS-244
240-21	M21	38	38.0	20	20	21.0	26.5	5.5	92	CCUS-567
300-16	M16	42	43.0	22	22	23.5	30.0	6.5	101	CCUS-245
300-21	M21	42	43.0	22	22	23.5	30.0	6.5	101	CCUS-569
400-16	M16	44	50.0	26	26	26.8	34.8	8.0	114	CCUS-246
400-21	M21	44	50.0	26	26	26.8	34.8	8.0	114	CCUS-571
500-16	M16	48	56.0	28	28	30.0	39.0	9.0	124	CCUS-247
550-21	M21	52	60.0	30	30	31.7	41.4	9.7	132	CCUS-573
630-20	M20	56	65.0	33	33	35.0	45.0	10.0	144	CCUS-248
800	-	78	73.5	35	40	39.0	50.6	11.6	170	CCUS-599
1000	-	90	81.0	45	45	43.0	56.2	13.2	200	CCUS-590

MATERIAL - COPPER IS 191
DIMENSION - d2, d1 confirm to DIN - 46235

FINISH - ELECTRO TINNED